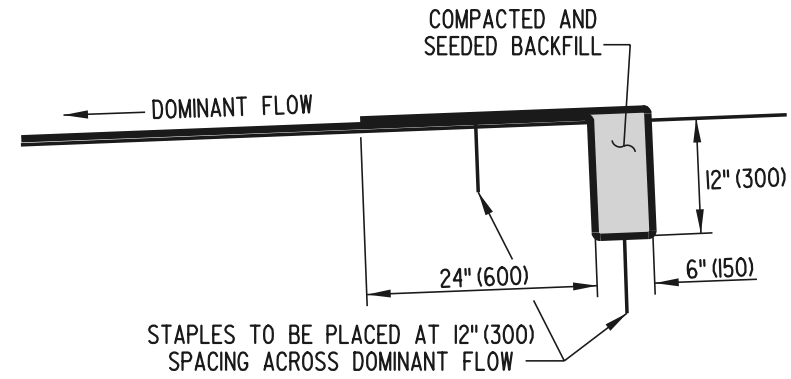


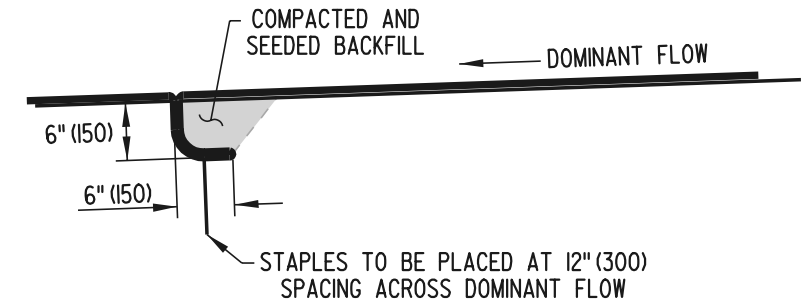
INITIAL TRENCH ANCHOR DETAIL

APPLIED AT THE DOWNSTREAM END OF DITCH



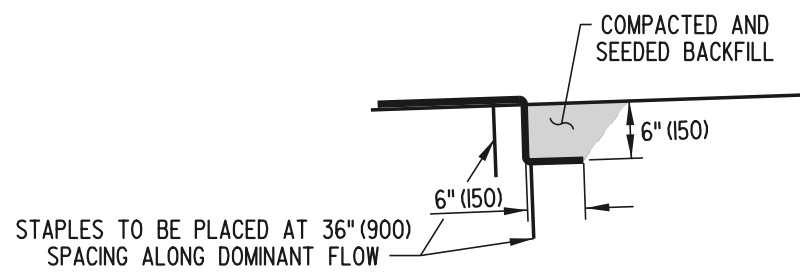
TERMINAL TRENCH ANCHOR DETAIL

APPLIED AT THE UPSTREAM END OF DITCH

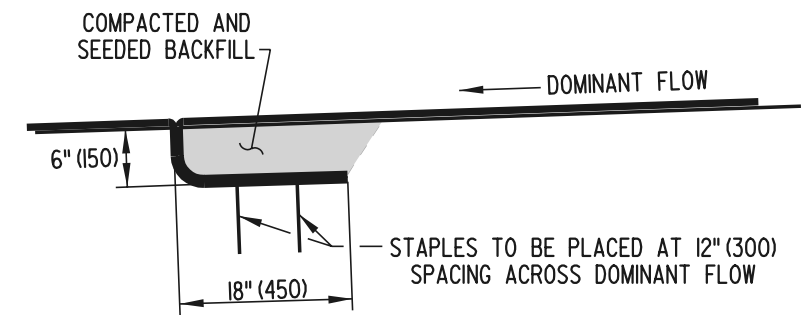


CHECK SLOT DETAIL

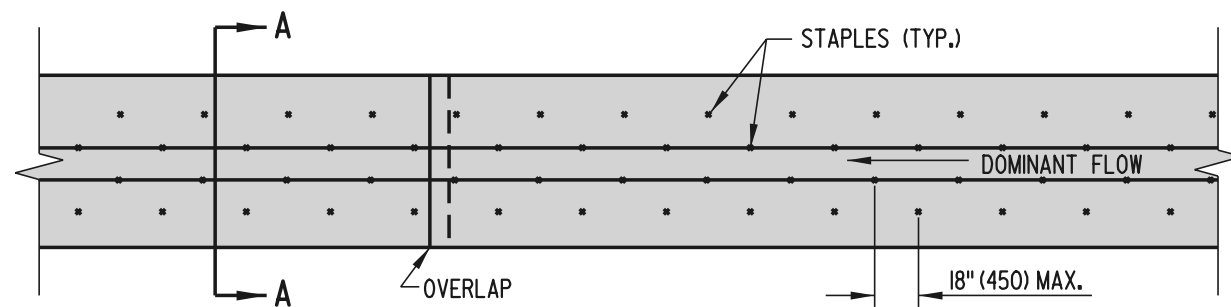
(AS NEEDED PER PLANS)



LONGITUDINAL TRENCH ANCHOR DETAIL

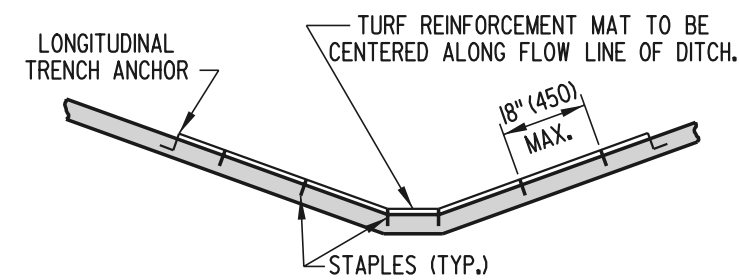


OVERLAP DETAIL

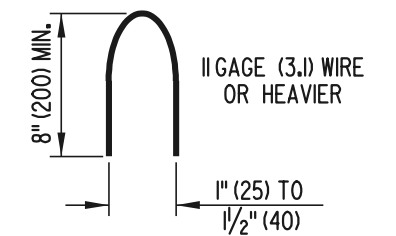


STABILIZATION OF DITCHES PLAN

- NOTES: 1. ADDITIONAL STAPLES NOT SHOWN ARE REQUIRED AT OVERLAPS, ENDS, CHECK SLOTS AND EDGES. SEE APPROPRIATE DETAILS FOR STAPLE PLACEMENT.
 2. STAPLES ARE TO BE STAGGERED.
 3. TOPSOIL UNDER TURF REINFORCEMENT MAT IS TO BE TRACKED AND SEEDED.

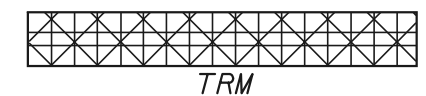


STABILIZATION OF DITCHES SECTION A-A



STAPLE DETAIL

PLAN SYMBOL



DELAWARE
DEPARTMENT OF TRANSPORTATION

TURF REINFORCEMENT MAT APPLICATIONS

STANDARD NO. E-25 (2001) SHT. 1 OF 1

APPROVED *Ryan M. Hershberg* 6/18/01
CHIEF ENGINEER DATE

RECOMMENDED *Michael R. [Signature]* 6/18/01
DESIGN ENGINEER DATE