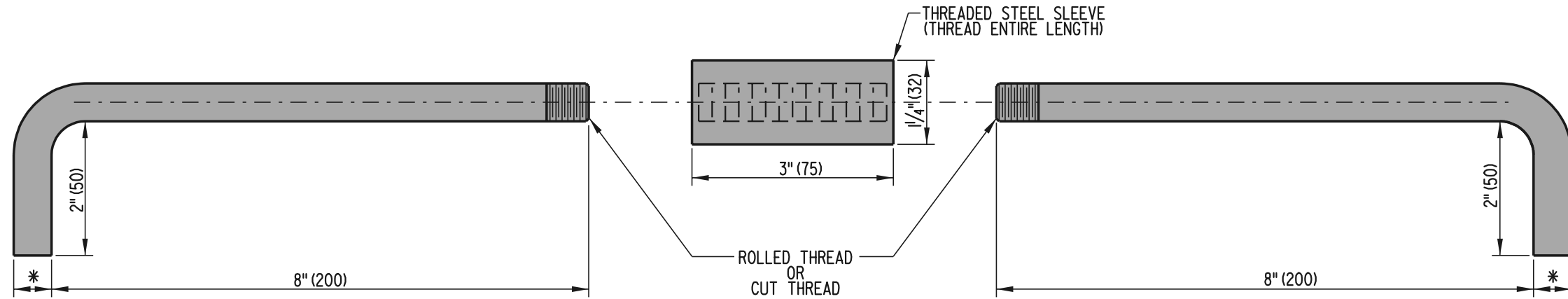
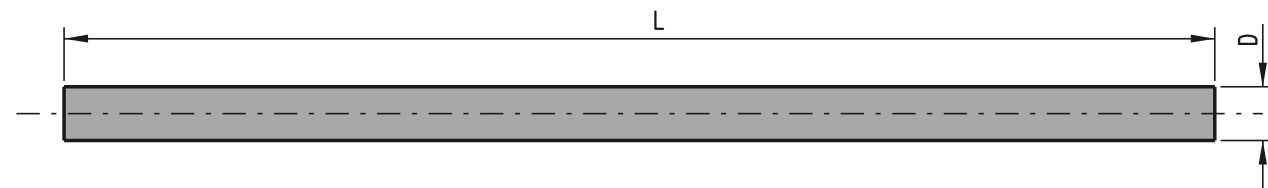


W BOLT



HOOK BOLT

* -11/16" (17) ROLLED THREADS
3/4" (19) CUT THREADS



DOWEL & TIE BAR

SLAB THICKNESS	DOWEL		TIE BAR	
	D	L	D	L
10" (250)	1/4" (32)	18" (450)	5/8" (16)	30" (750)
12" (300)	1/2" (38)	20" (500)	5/8" (16)	30" (750)



DELAWARE
DEPARTMENT OF TRANSPORTATION

P.C.C. PAVEMENT

STANDARD NO. P-1 (2001)

SHT. 3 OF 5

APPROVED *Ryan M. Harkness* 6/18/01
CHIEF ENGINEER DATE

RECOMMENDED *Michael R. [Signature]* 6/18/01
DESIGN ENGINEER DATE