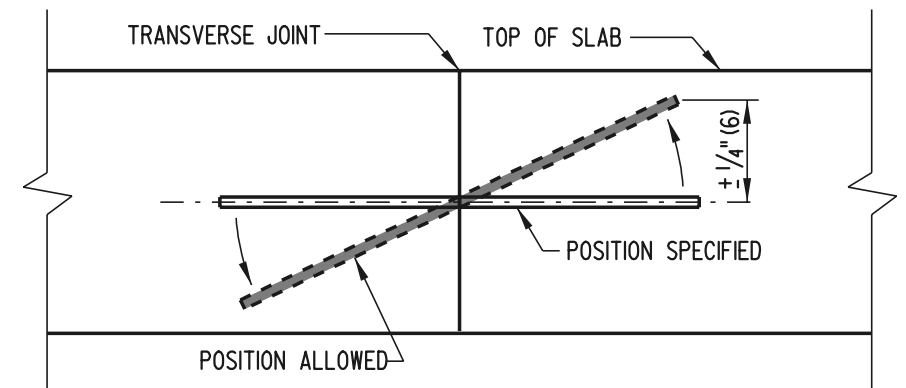
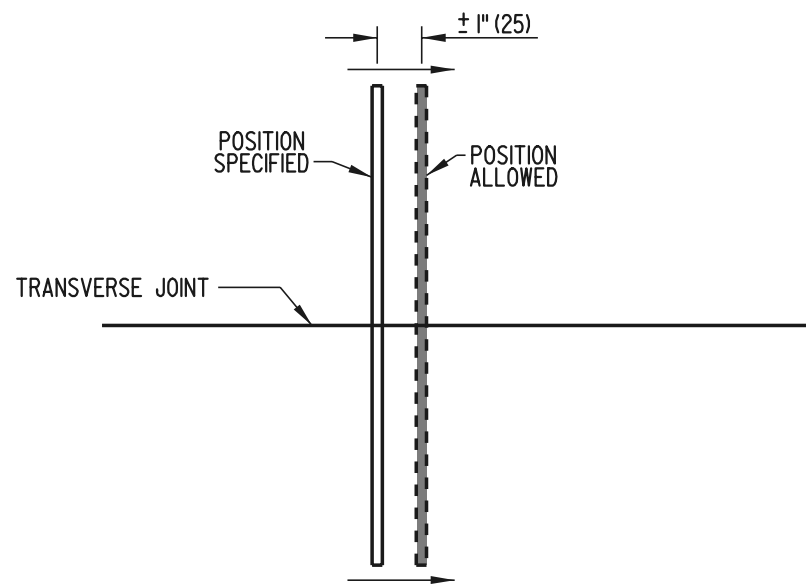


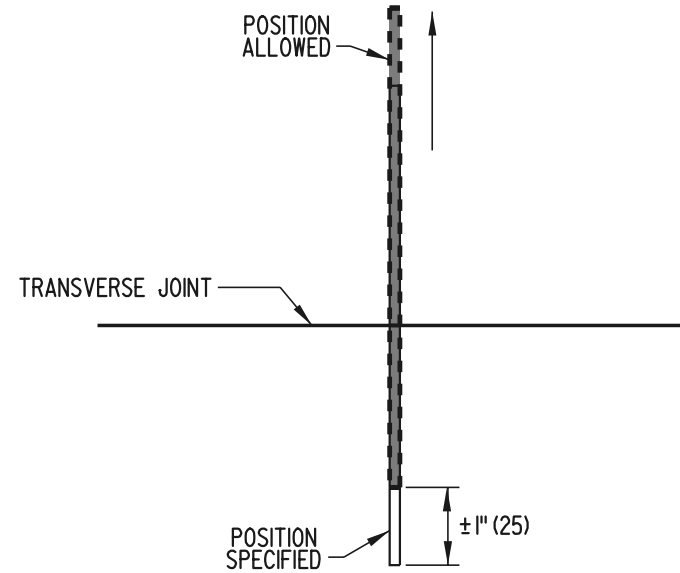
VERTICAL TRANSLATION



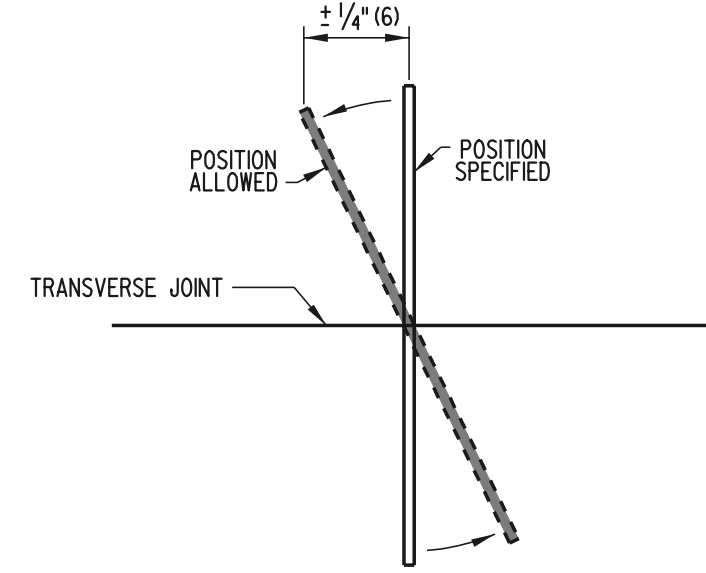
VERTICAL ROTATION



HORIZONTAL TRANSLATION



LONGITUDINAL TRANSLATION



HORIZONTAL ROTATION

DOWEL & TIE BAR PLACEMENT TOLERANCES

FULL DEPTH PATCH



DELAWARE  
DEPARTMENT OF TRANSPORTATION

P.C.C. PAVEMENT PATCHING

STANDARD NO. P-2 (2001) SHT. 4 OF 5

APPROVED *Ryan M. Harshbarger* 6/18/01  
CHIEF ENGINEER DATE  
 RECOMMENDED *Michael R. [Signature]* 6/18/01  
DESIGN ENGINEER DATE