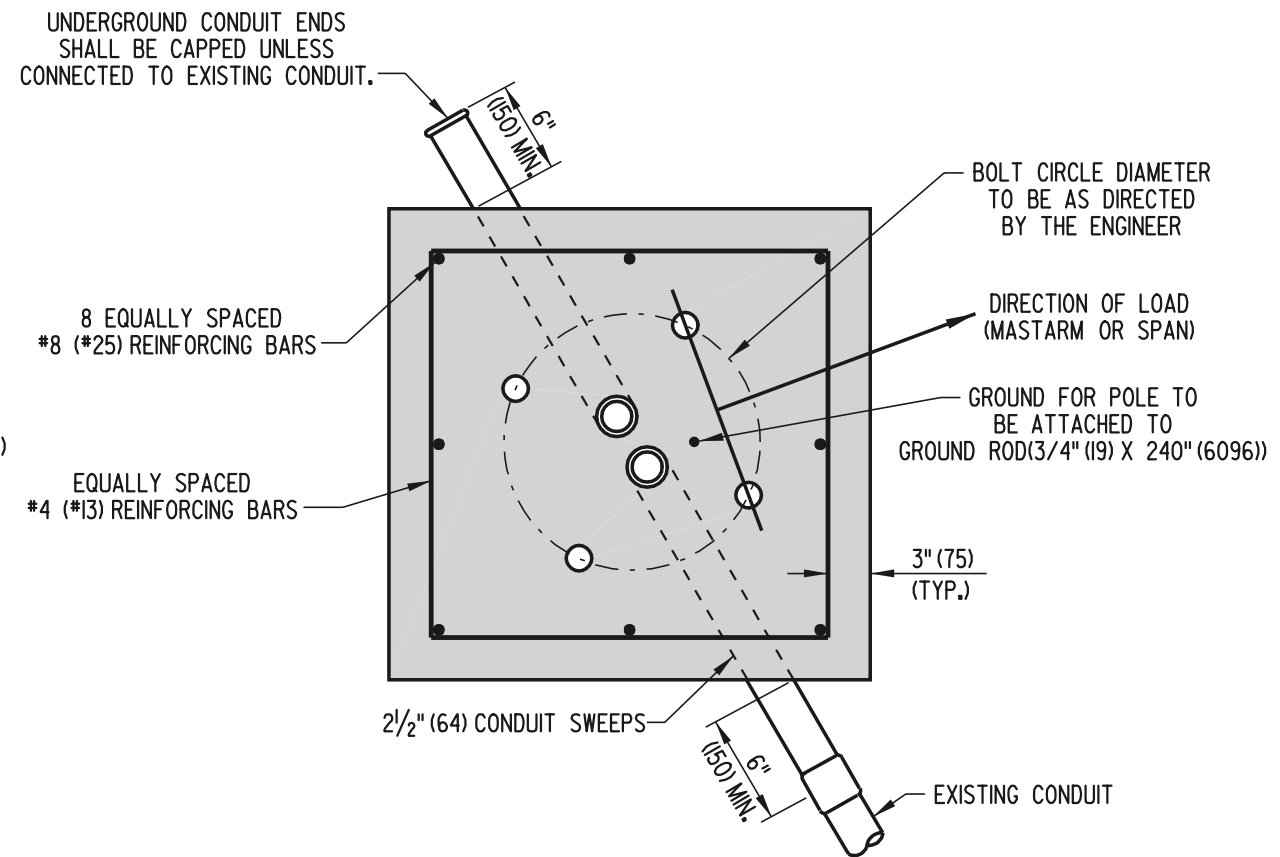


ROUND BASE



SQUARE BASE

PLAN SYMBOL



**DELAWARE
DEPARTMENT OF TRANSPORTATION**

POLE BASES

STANDARD NO. **T-5 (2001)**

SHT. **1** OF **3**

APPROVED *Ryan M. Harkness* **6/18/01**
CHIEF ENGINEER DATE

RECOMMENDED *Mehal Alghobari* **6/18/01**
DESIGN ENGINEER DATE