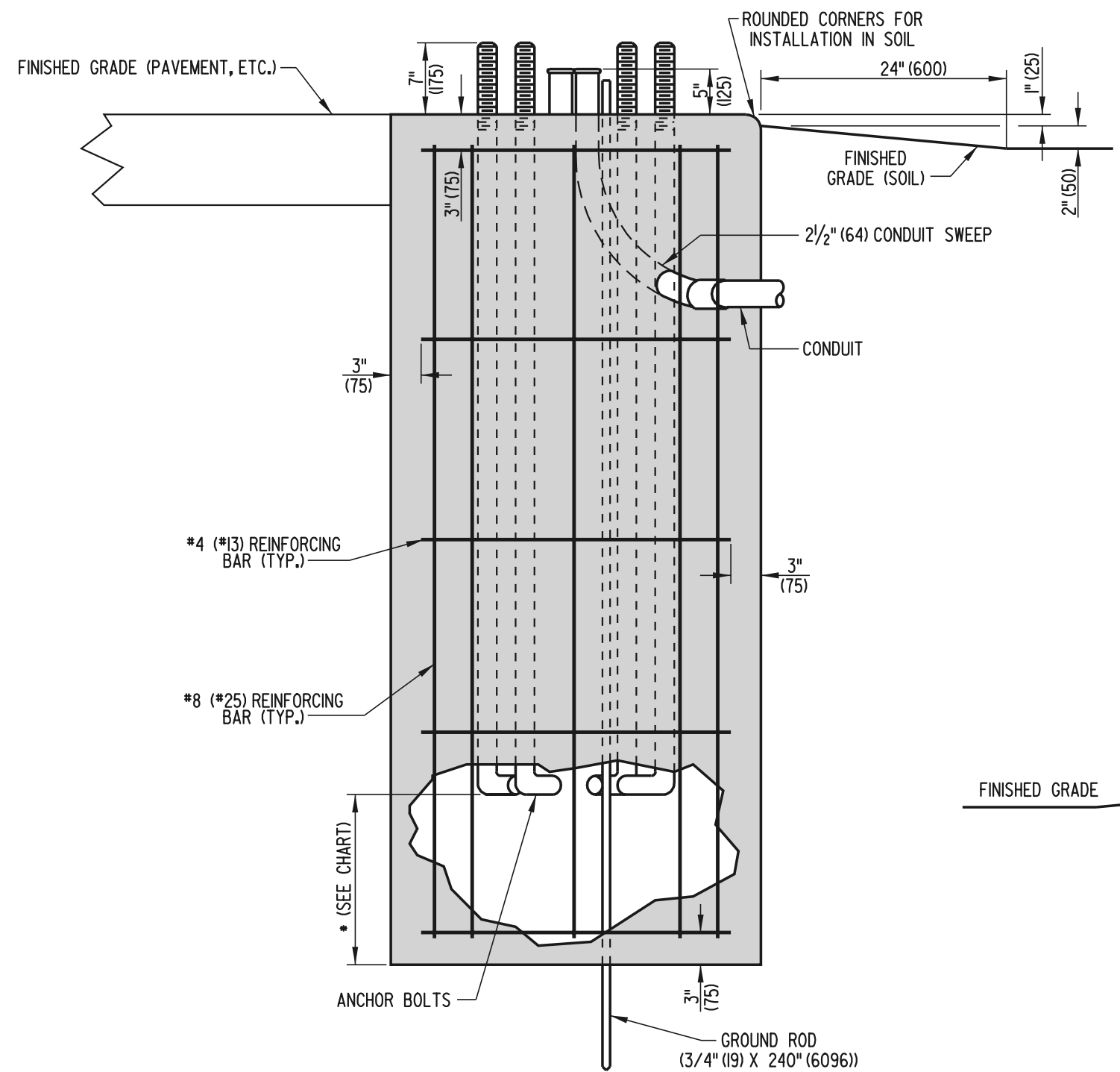
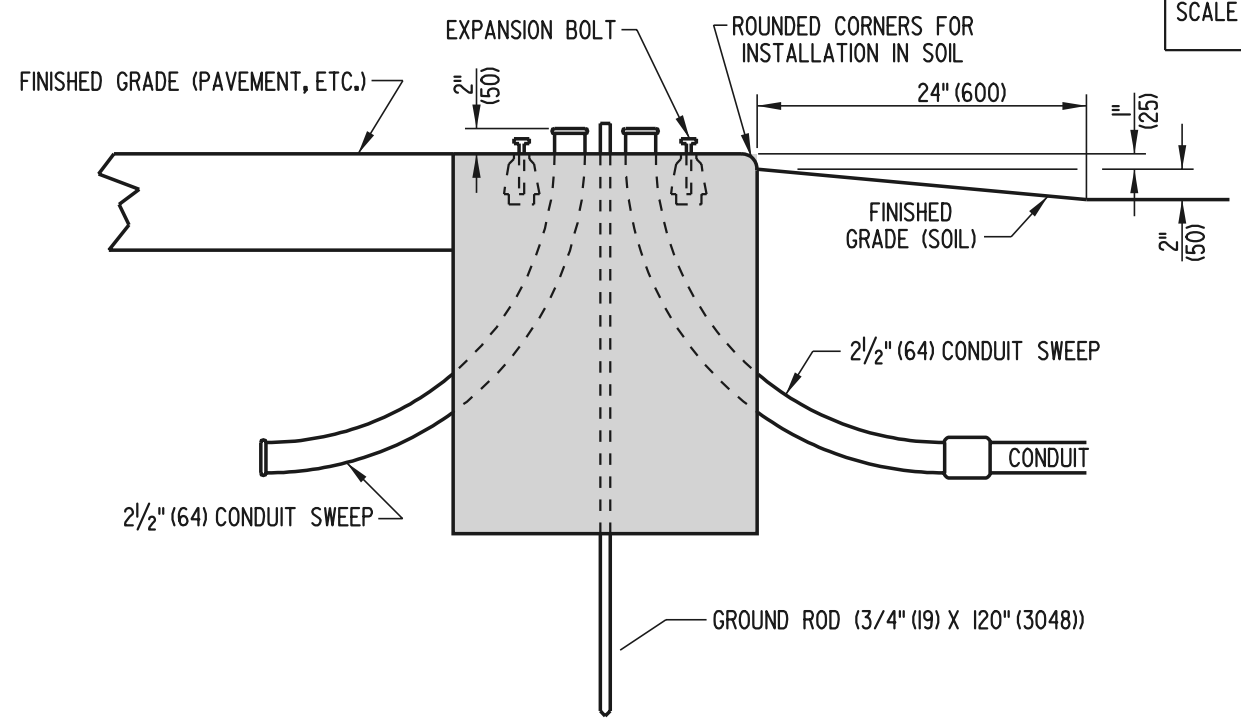


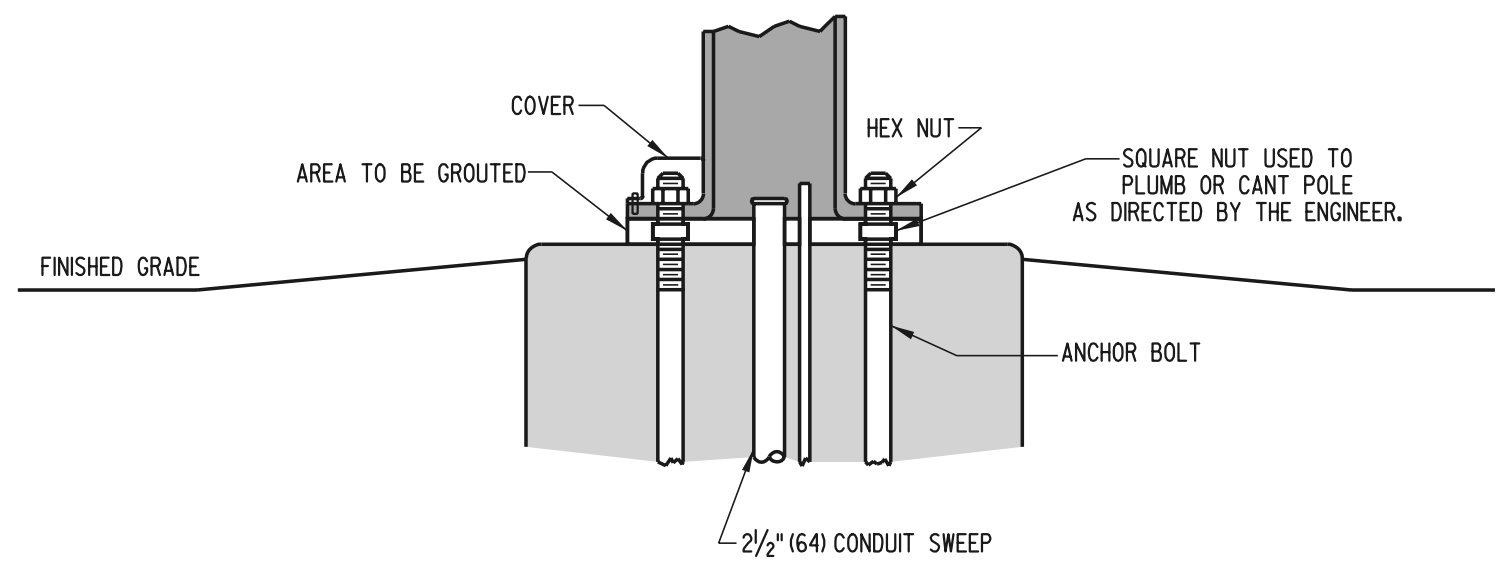
SCALE : N.T.S.



**TYPICAL SECTION (BASES 1,2,2A,2B,3,3A,3B, AND 7)**




**TYPICAL SECTION (BASE 4)**



**TYPICAL INSTALLATION (BASES 1,2,2A,2B,3,3A,3B,4, AND 7)**

**PLAN SYMBOL**



 <b>DELAWARE</b> <b>DEPARTMENT OF TRANSPORTATION</b>	<b>POLE BASES</b>			<b>APPROVED</b> <i>Ryan M. Harshbarger</i> <b>6/18/01</b> <small>CHIEF ENGINEER DATE</small>
	<b>STANDARD NO. T-5 (2001)</b>	<b>SHT. 2 OF 3</b>	<b>RECOMMENDED</b> <i>Michael R. Gotsch</i> <b>6/18/01</b> <small>DESIGN ENGINEER DATE</small>	