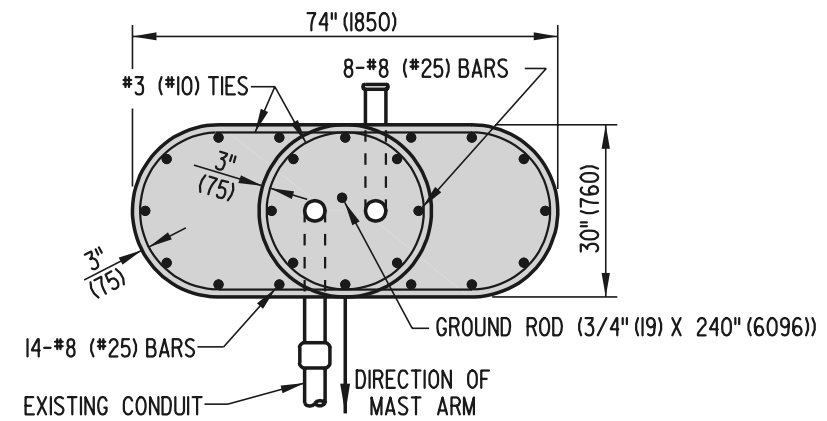


FOUNDATION DETAILS



SECTION A-A

PLAN SYMBOL



**DELAWARE
DEPARTMENT OF TRANSPORTATION**

SPECIAL POLE BASE

STANDARD NO. **T-6 (2001)**

SHT. **1** OF **1**

APPROVED *Ryan M. Harkness* 6/18/01
CHIEF ENGINEER DATE
 RECOMMENDED *Mehal Akhavan* 6/18/01
DESIGN ENGINEER DATE