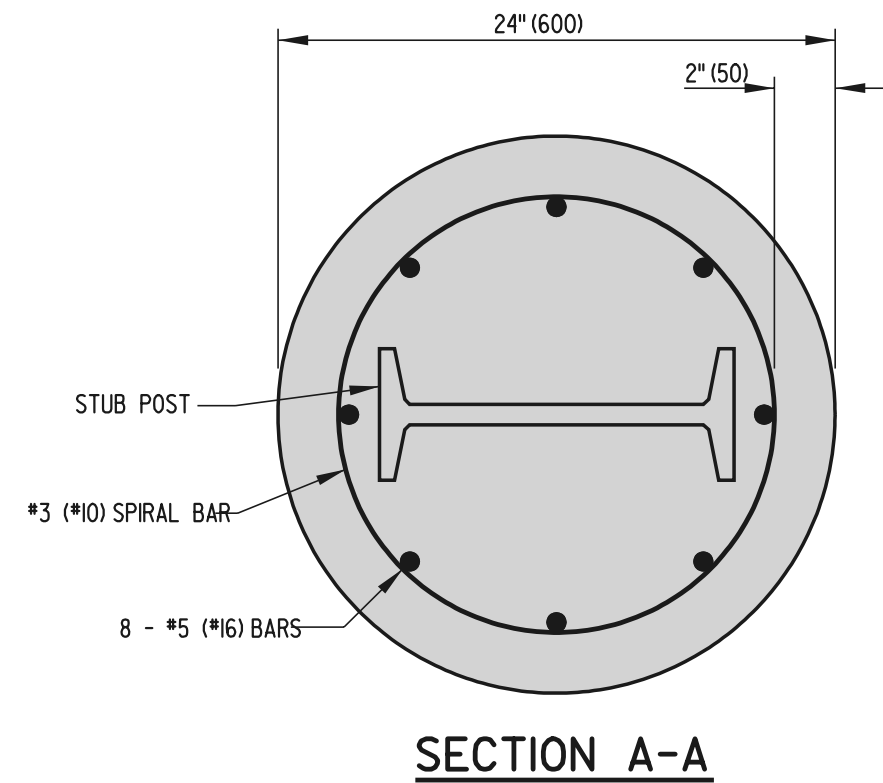


NOTES: 1). STUB POST TO BE SUPPLIED BY BUREAU OF TRAFFIC.



PLAN SYMBOL



DELAWARE  
DEPARTMENT OF TRANSPORTATION

SIGN FOUNDATION

STANDARD NO. T-7 (2001)

SHT. 1 OF 1

APPROVED *Ryan M. Harkness* 6/18/01  
CHIEF ENGINEER DATE

RECOMMENDED *Mehal Alghob* 6/18/01  
DESIGN ENGINEER DATE