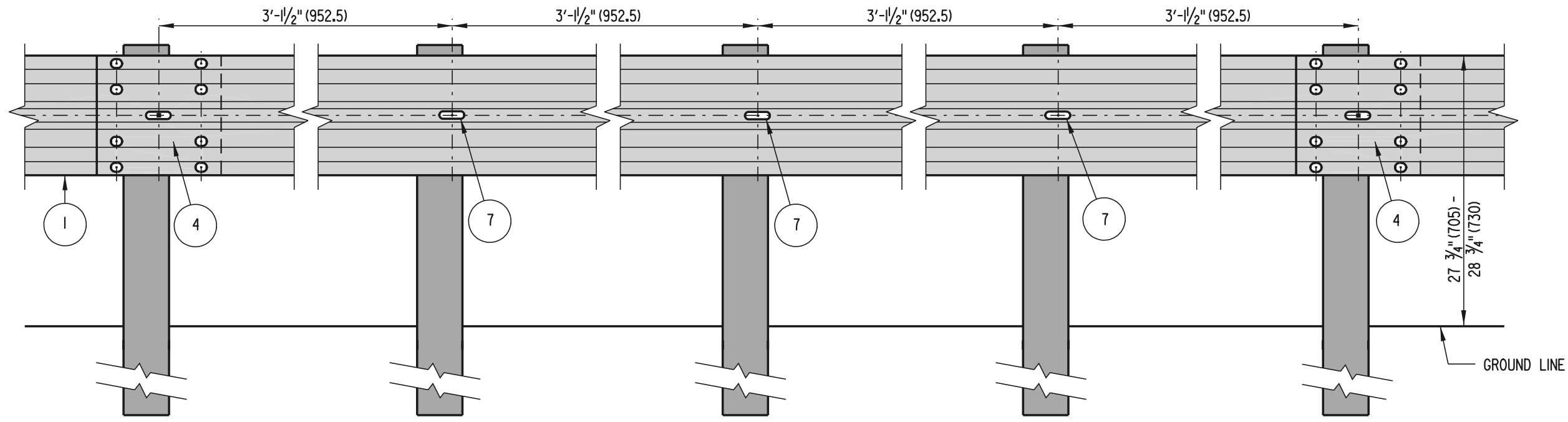
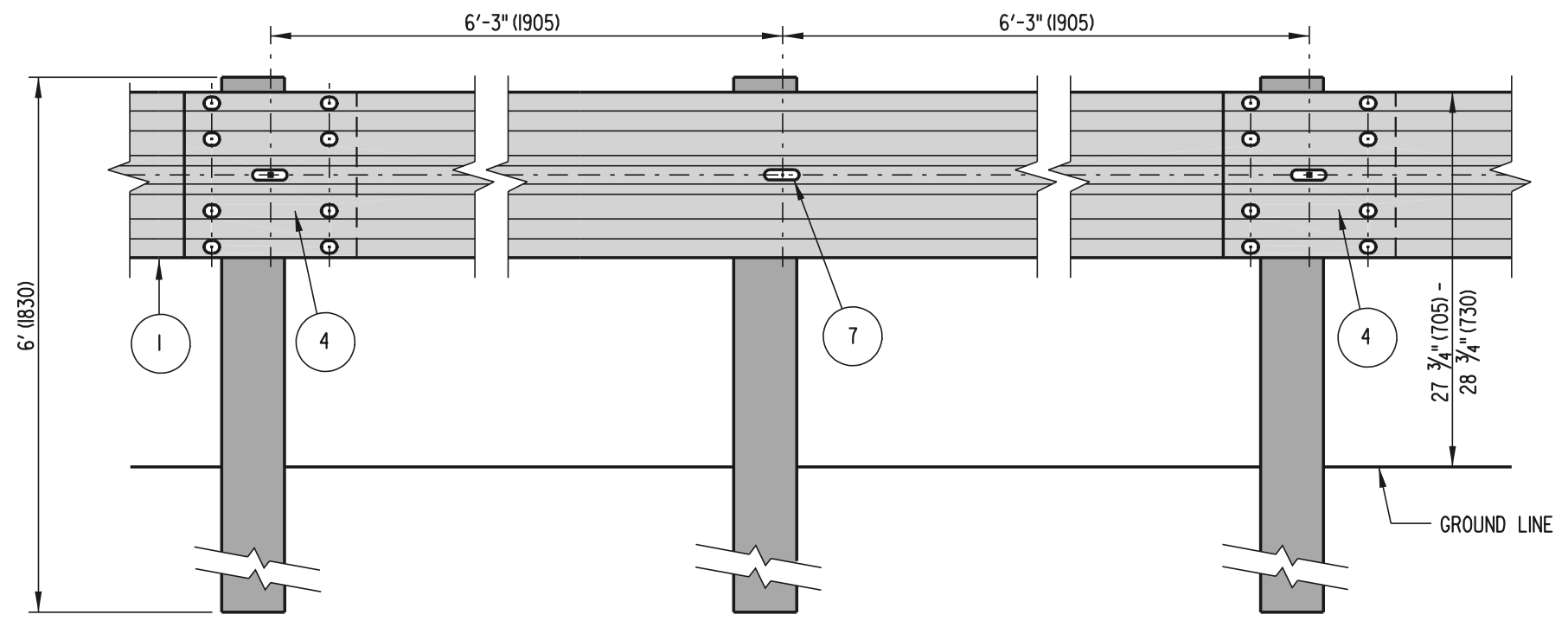
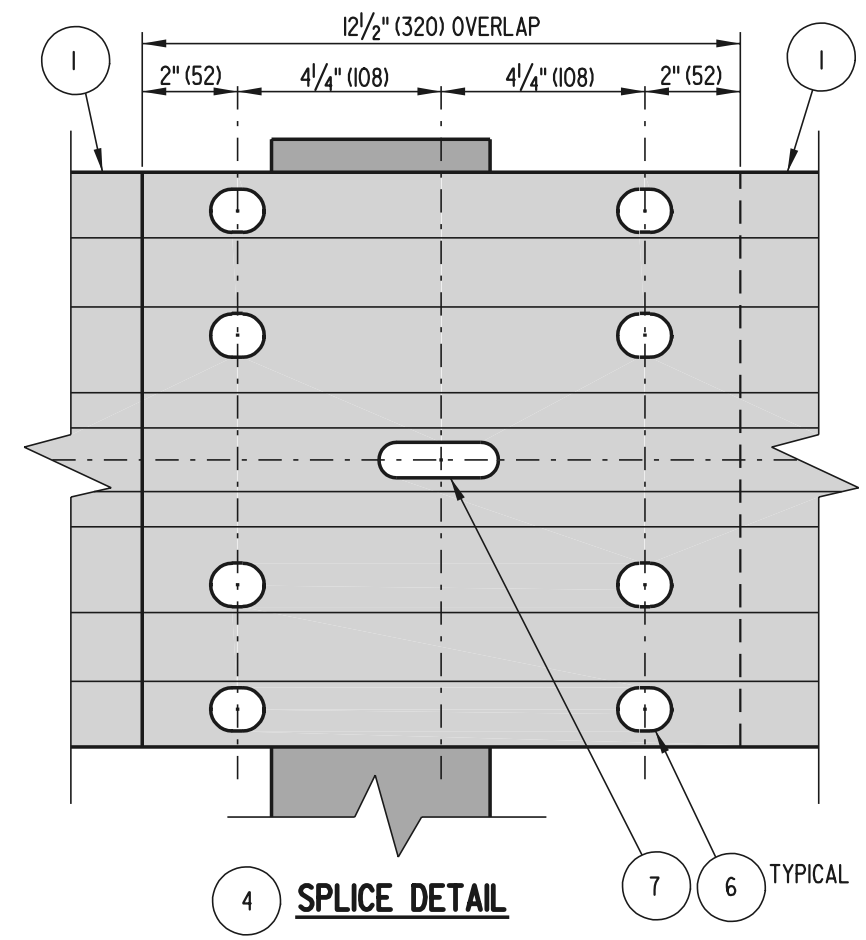


SCALE : N.T.S.



TYPE 2



TYPE 1 OR 3

NOTES : 1). OVERLAP W-BEAMS IN DIRECTION OF TRAVEL.
 2). PLACE REFLECTORIZED WASHER EVERY FIFTH POST.