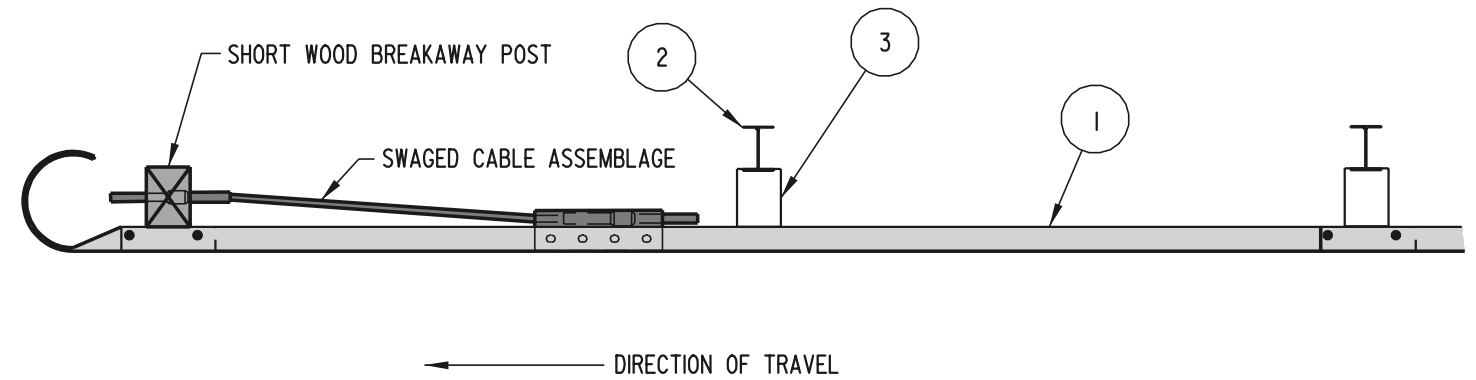
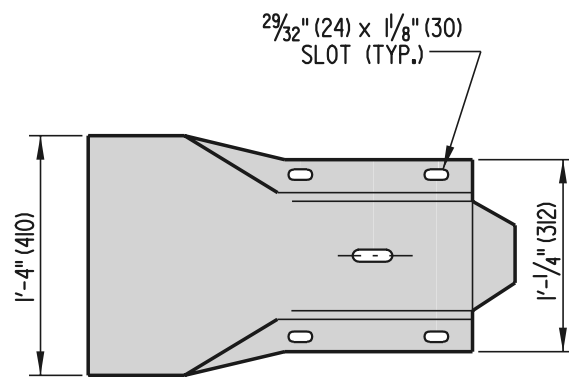


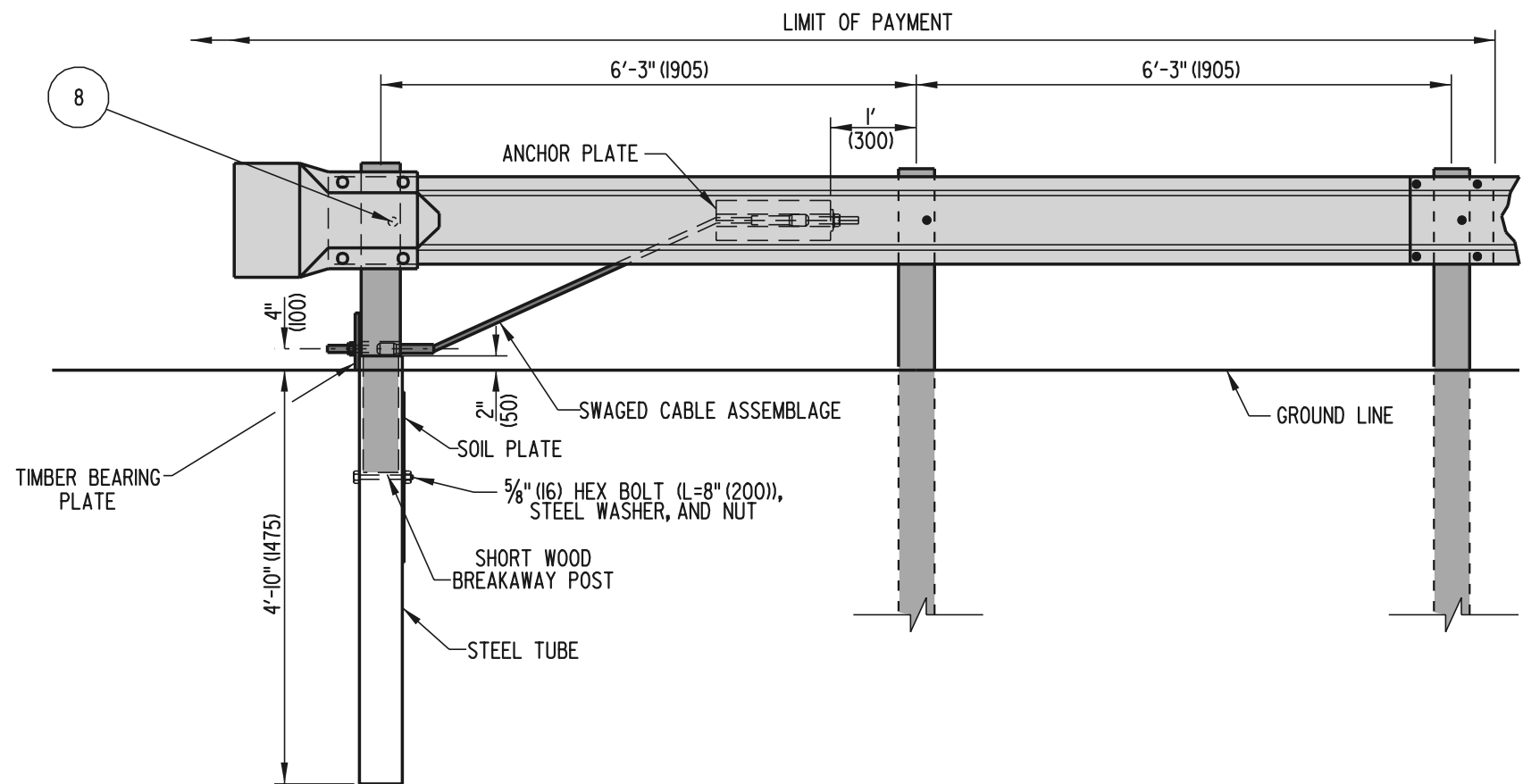
END SECTION PLAN



PLAN



END SECTION ELEVATION



ELEVATION

NOTES:

1. ADDITIONAL HOLES FOR ANCHOR PLATE SHALL BE DRILLED PRIOR TO GALVANIZING. (SEE STANDARD HARDWARE SHEET FOR HOLE SPACING INFORMATION).
2. CONTRACTOR HAS THE OPTION OF USING A 6' (1830) STEEL TUBE WITHOUT A SOIL PLATE OR A 5' (1525) STEEL TUBE WITH A SOIL PLATE.

DELAWARE
DEPARTMENT OF TRANSPORTATION

END ANCHORAGE			
STANDARD NO.	B-5 (2002)	SHT.	1 OF 1

APPROVED *Caudam Wicks* 9/6/02
CHIEF ENGINEER DATE

RECOMMENDED *Thurston Phelps* 8/19/02
DESIGN ENGINEER DATE