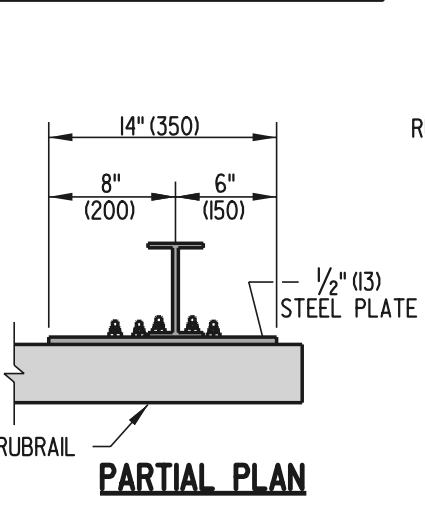
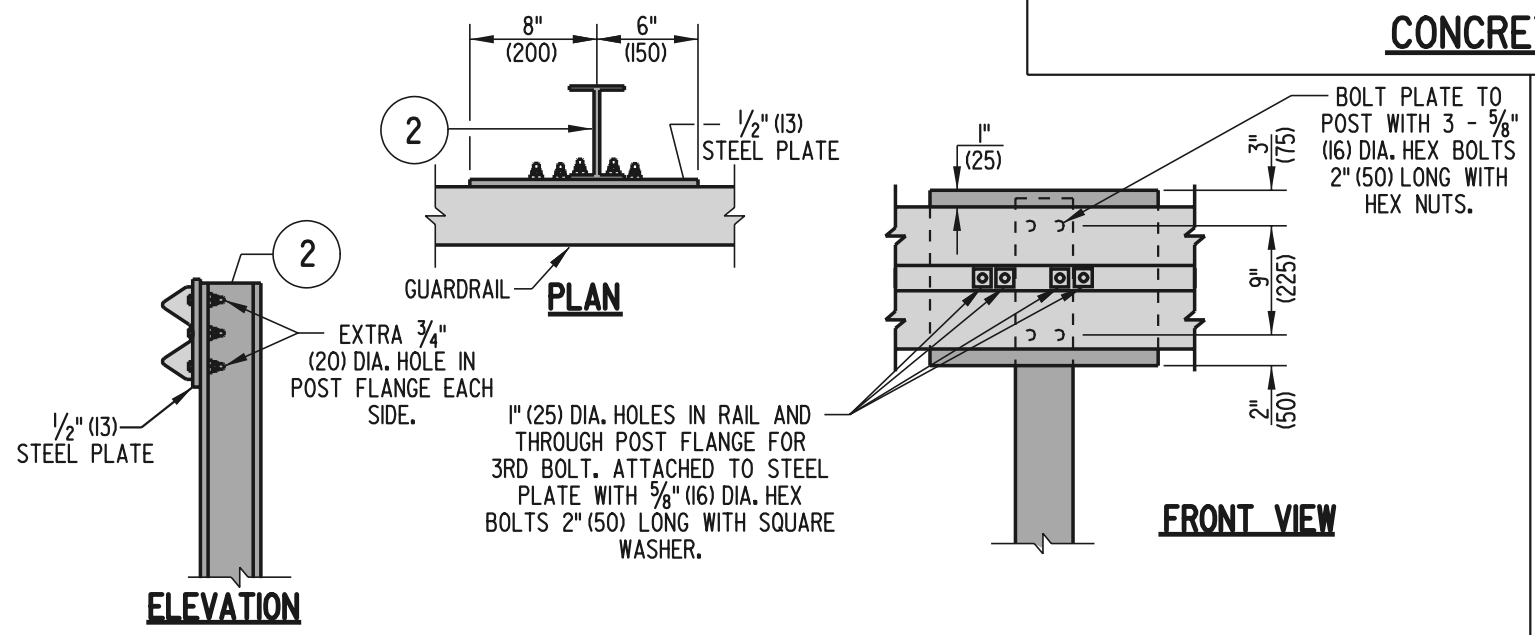
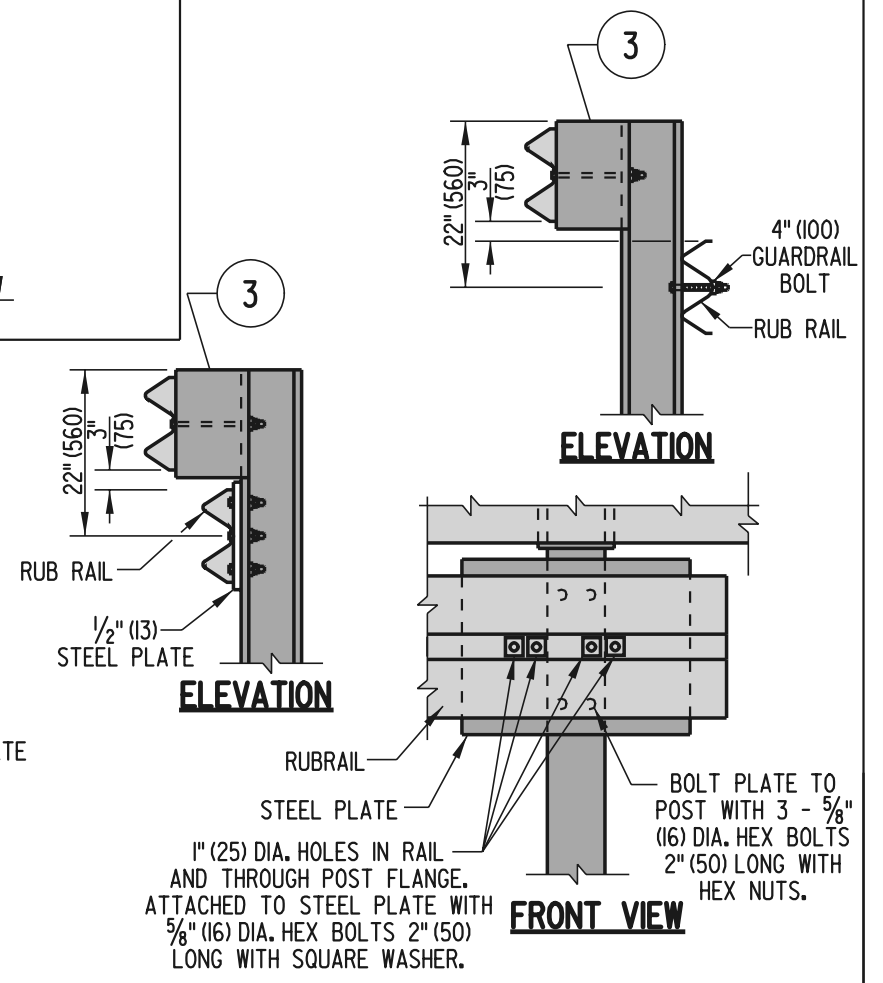
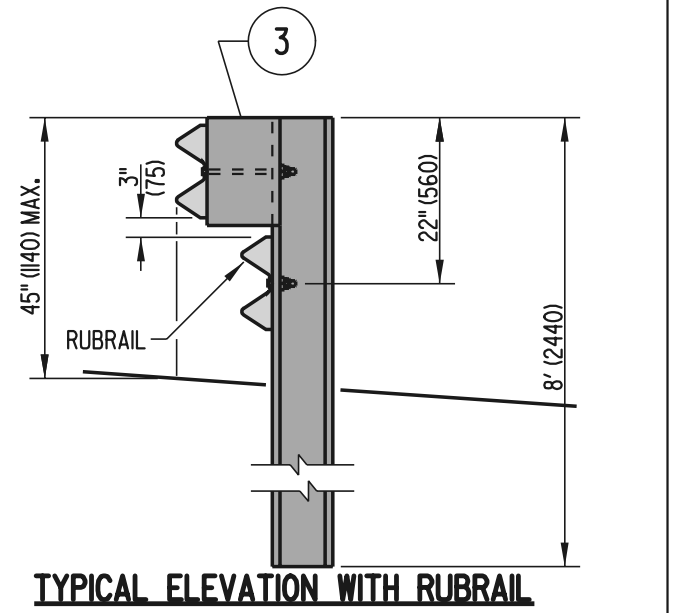
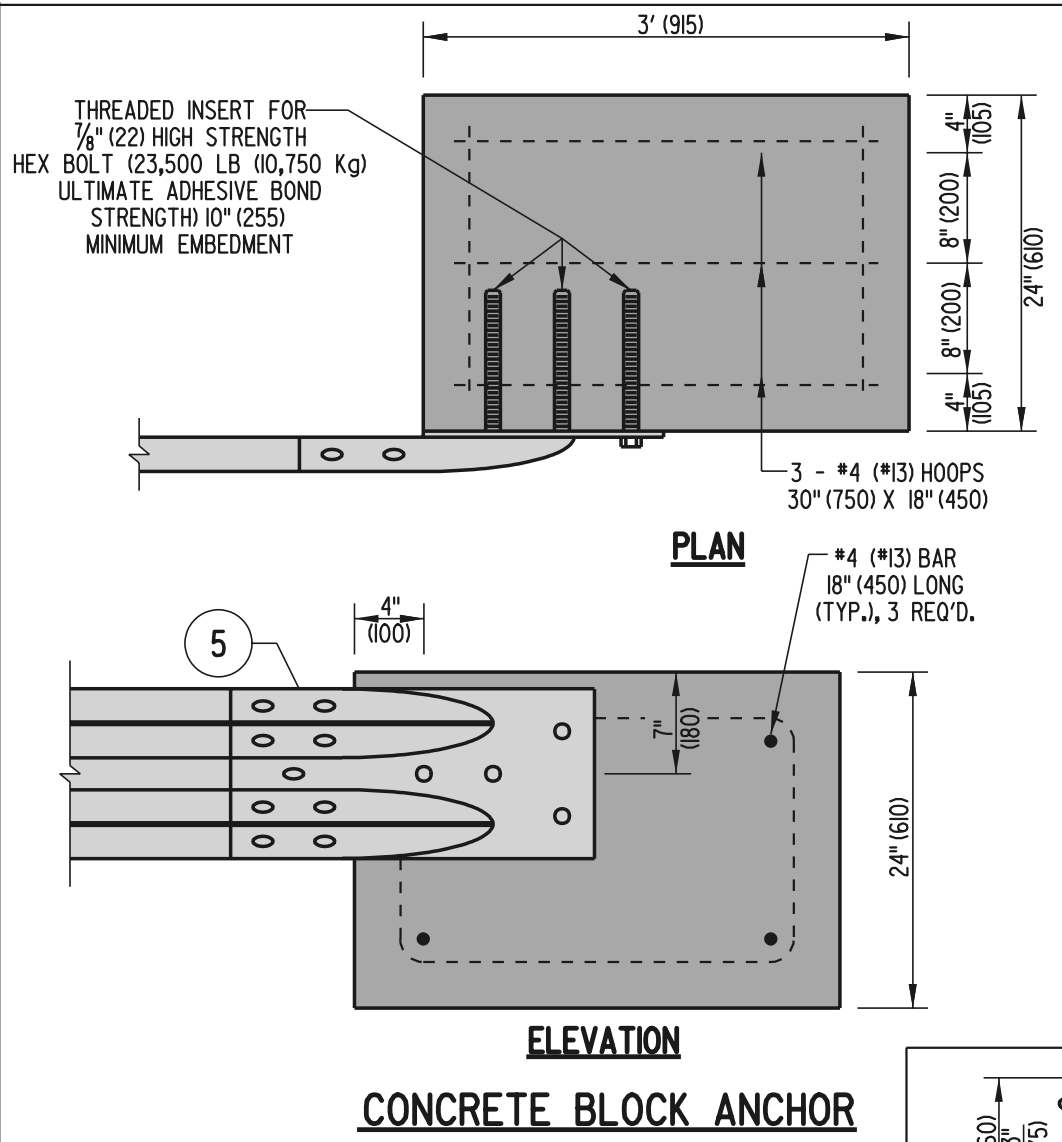
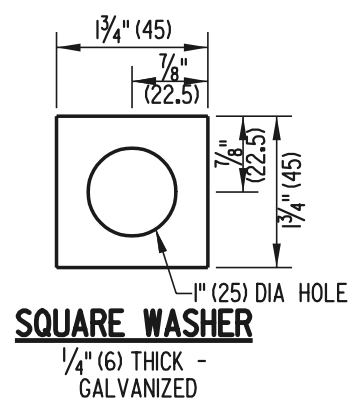
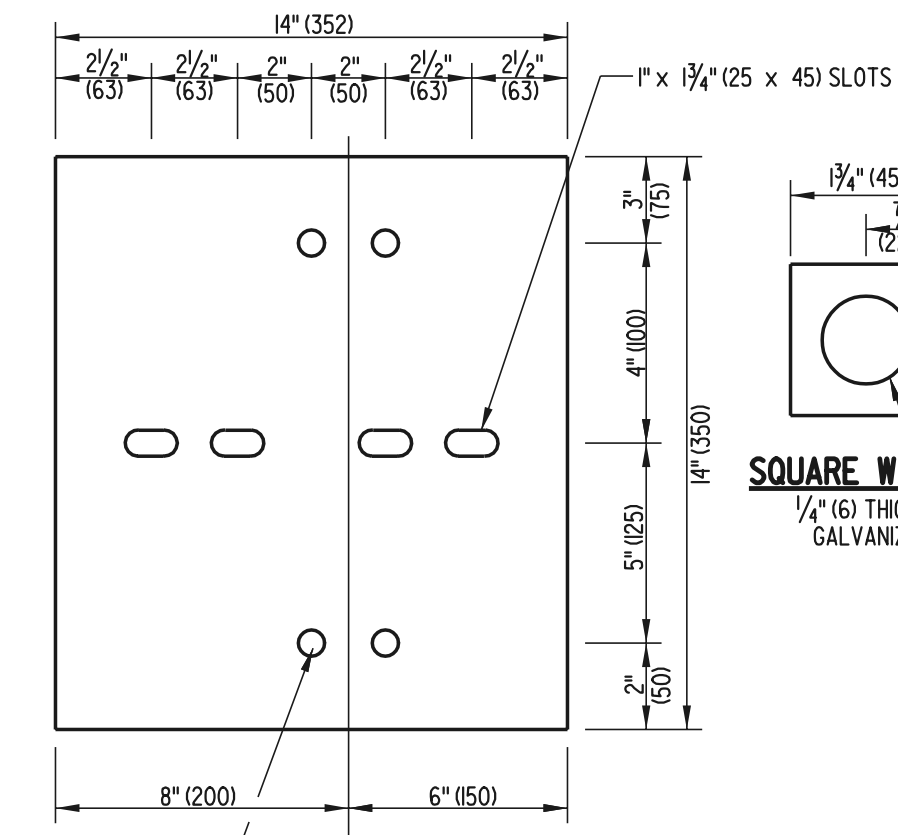


SCALE : N.T.S.



POST ANCHOR DETAIL

RUBRAIL ANCHOR ATTACHMENT

DELAWARE DEPARTMENT OF TRANSPORTATION

BURIED END SECTION
STANDARD NO. B-6 (2002) SHT. 3 OF 3

APPROVED *Custom Wicks* 9/6/02
CHIEF ENGINEER DATE
RECOMMENDED *Therese Delpho* 8/19/02
DESIGN ENGINEER DATE