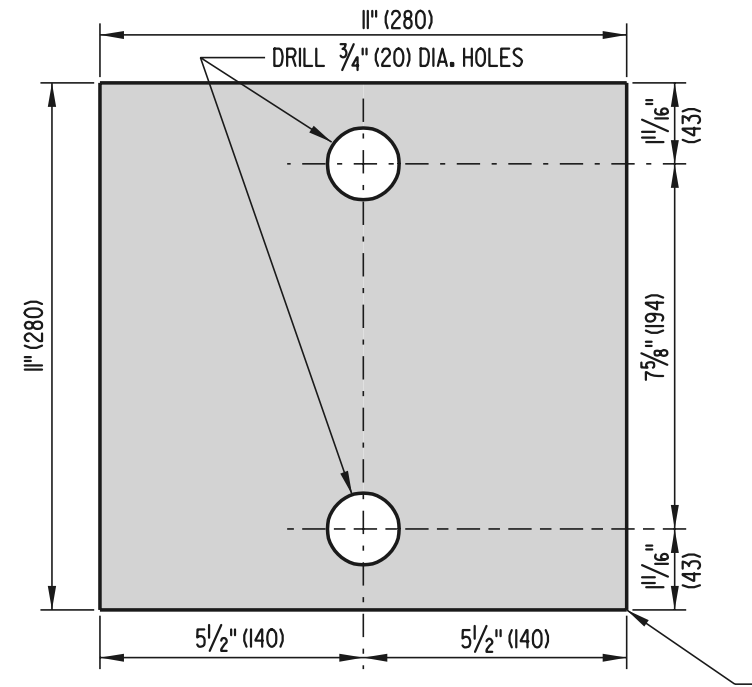
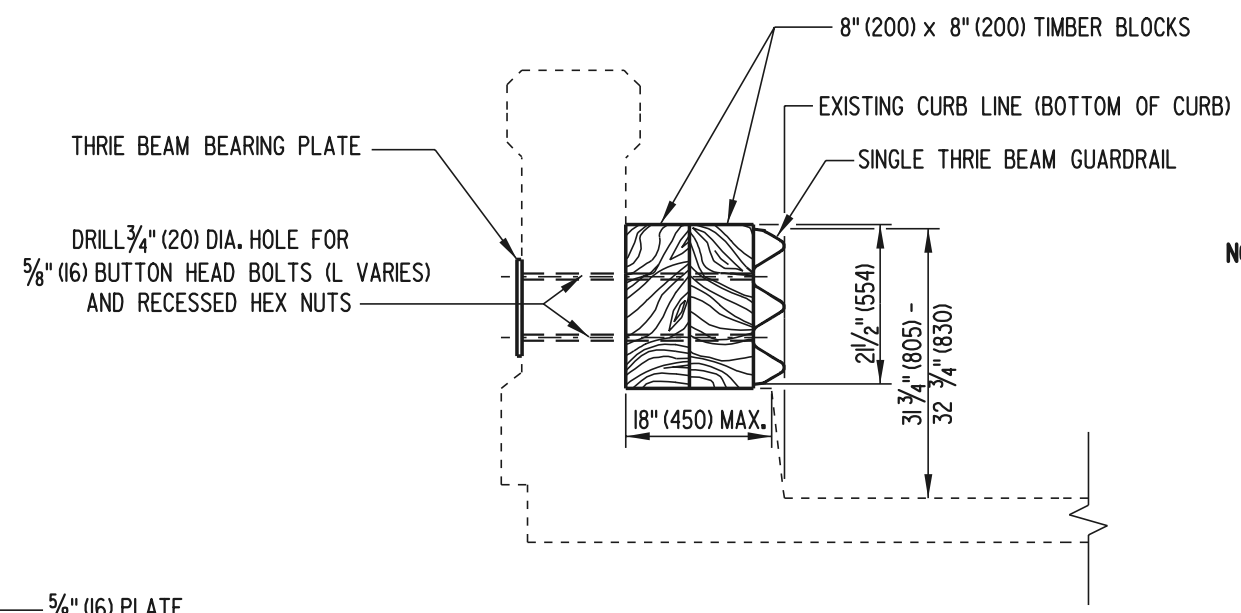


PLAN



THRIE BEAM BEARING PLATE DETAIL



SECTION A-A

- NOTES:**
- 1). THIS INSTALLATION SHALL BE USED WHEN THE EXISTING SIDEWALK IS 18" (450) OR LESS.
 - 2). USE A THRIE BEAM EXPANSION SECTION AT BRIDGE EXPANSION JOINTS.
 - 3). PLACE REFLECTORIZED WASHER IN THE UPPER VALLEY OF THE THRIE BEAM EVERY FIFTH POST.
 - 4). TIMBER BLOCK THICKNESS SHALL BE ADJUSTED TO ALLOW FACE OF THE THRIE BEAM TO BE FLUSH WITH BOTTOM OF CURB (MINIMUM THICKNESS SHALL BE 4" (100)).
 - 5). THE EXIT END APPLICATION SHALL BE USED ONLY ON DIVIDED HIGHWAYS. FOR ALL OTHER SITUATIONS, THE ENTRANCE END APPLICATION SHALL BE USED ON BOTH ENDS OF THE BRIDGE PARAPET.
 - 6). SPACING OF WOOD POSTS MAY NEED TO BE REDUCED TO ACCOMMODATE LINING UP POSTS AT THE END OF THE PARAPET.