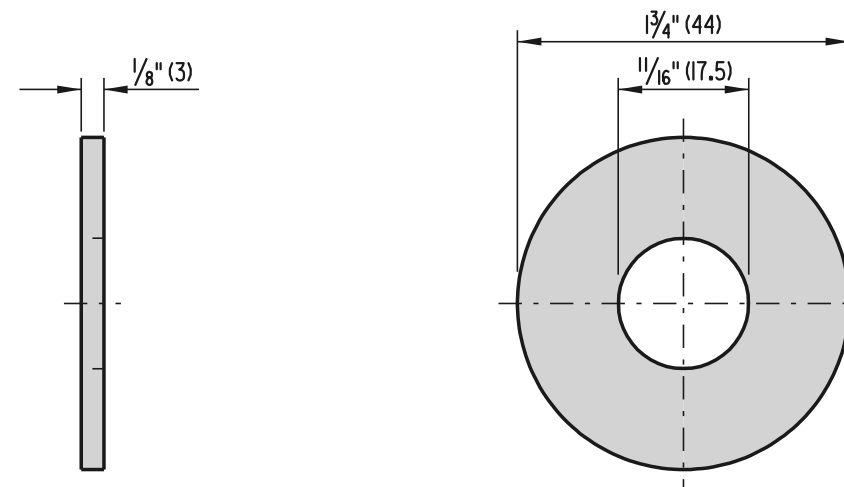
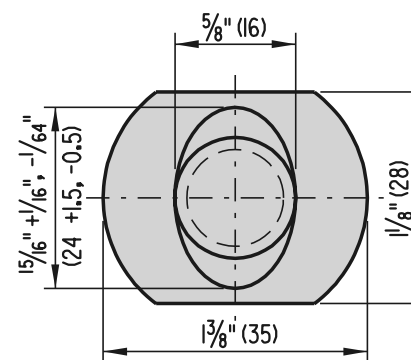
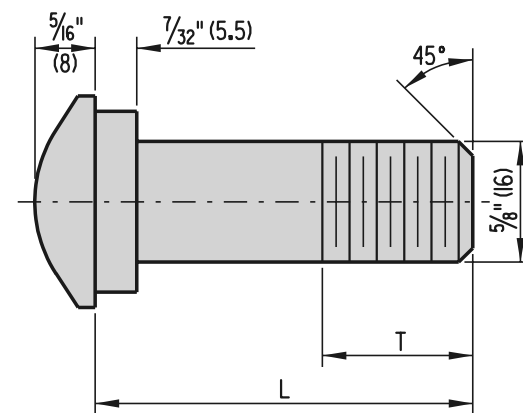


**RECESSED NUT
(FOR 5/8" (16) GUARDRAIL BOLT)**



STEEL WASHER (FOR 5/8" (16) GUARDRAIL BOLT)

NOTE: DIMENSION FOR WASHER THICKNESS IS APPROXIMATE BASED ON METAL THICKNESS.



GUARDRAIL BOLT

L	T (MIN.)
1/4" (35)	FULL THREAD LENGTH
2" (50)	FULL THREAD LENGTH
4" (100)	FULL THREAD LENGTH
10" (255)	4" (100) THREAD LENGTH
18" (460)	4" (100) THREAD LENGTH

NOTES : 1. ALL FILLETS SHALL HAVE A MINIMUM RADIUS OF 1/16" (2).
2. IF THE BOLT EXTENDS MORE THAN 1/2" (12) FROM THE NUT, THE BOLT SHALL BE TRIMMED BACK AS PER THE DEPARTMENT'S SPECIFICATIONS.



DELAWARE
DEPARTMENT OF TRANSPORTATION

HARDWARE

STANDARD NO. B-13 (2002) SHT. 10 OF 12

APPROVED *Caroleen Wicks* 9/6/02
CHIEF ENGINEER DATE
RECOMMENDED *Theresa Delgado* 8/19/02
DESIGN ENGINEER DATE