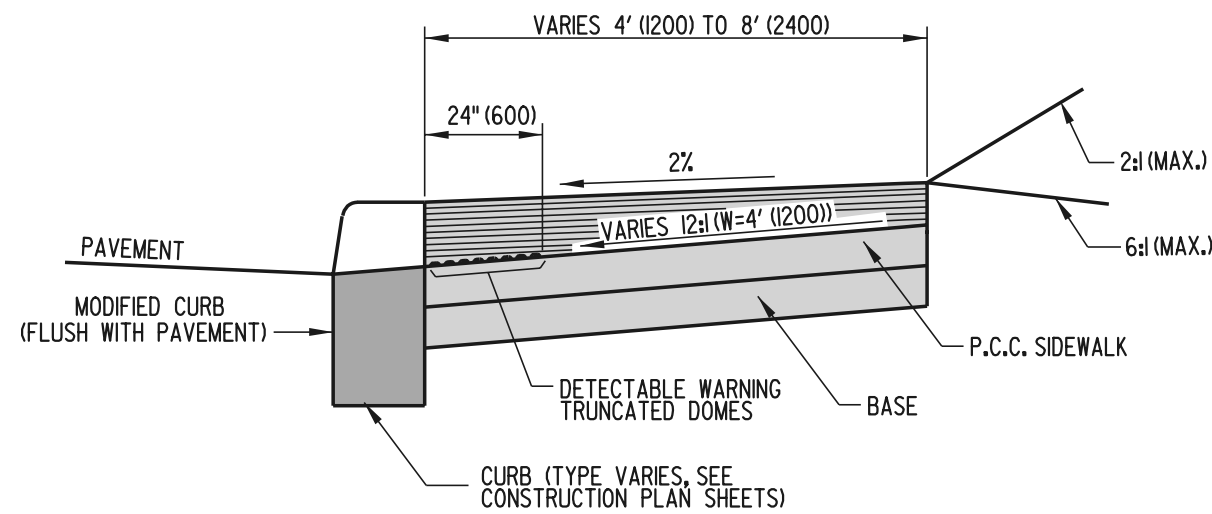
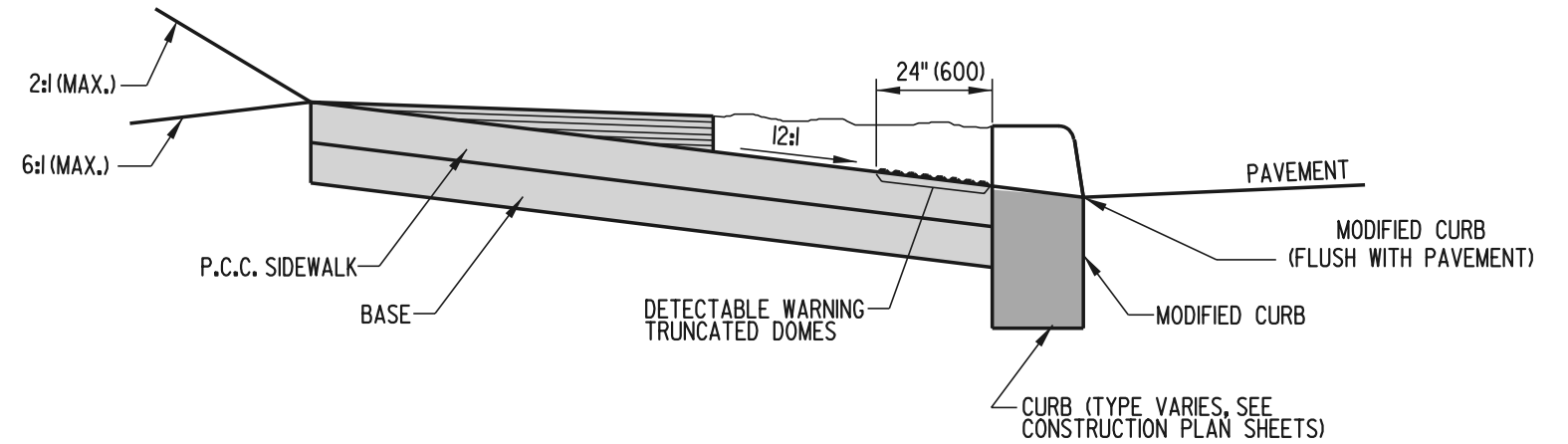


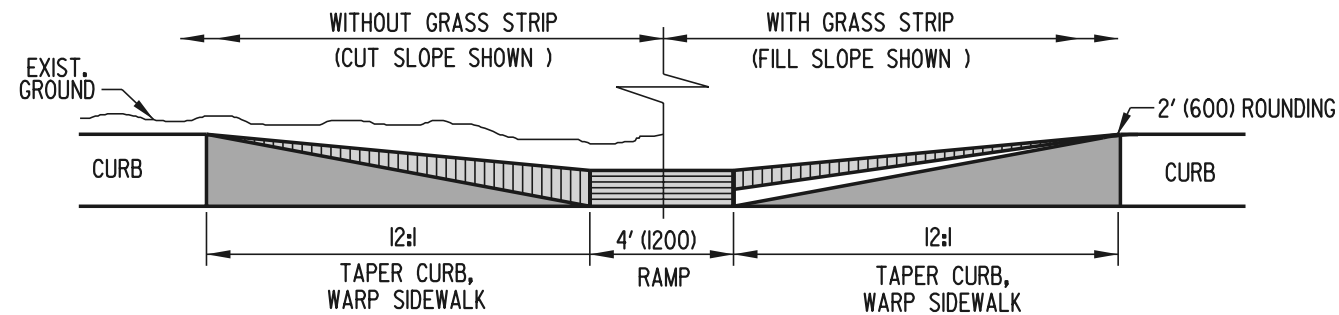
**SECTION C-C**



**SECTION D-D**



**SECTION E-E**



**SECTION F-F**



DELAWARE  
DEPARTMENT OF TRANSPORTATION

**CURB RAMPS**

STANDARD NO. C-2 (2002)

SHT. 3 OF 4

APPROVED *Caution Wicks* 9/6/02  
CHIEF ENGINEER DATE  
 RECOMMENDED *Theresa Delpho* 8/19/02  
DESIGN ENGINEER DATE