

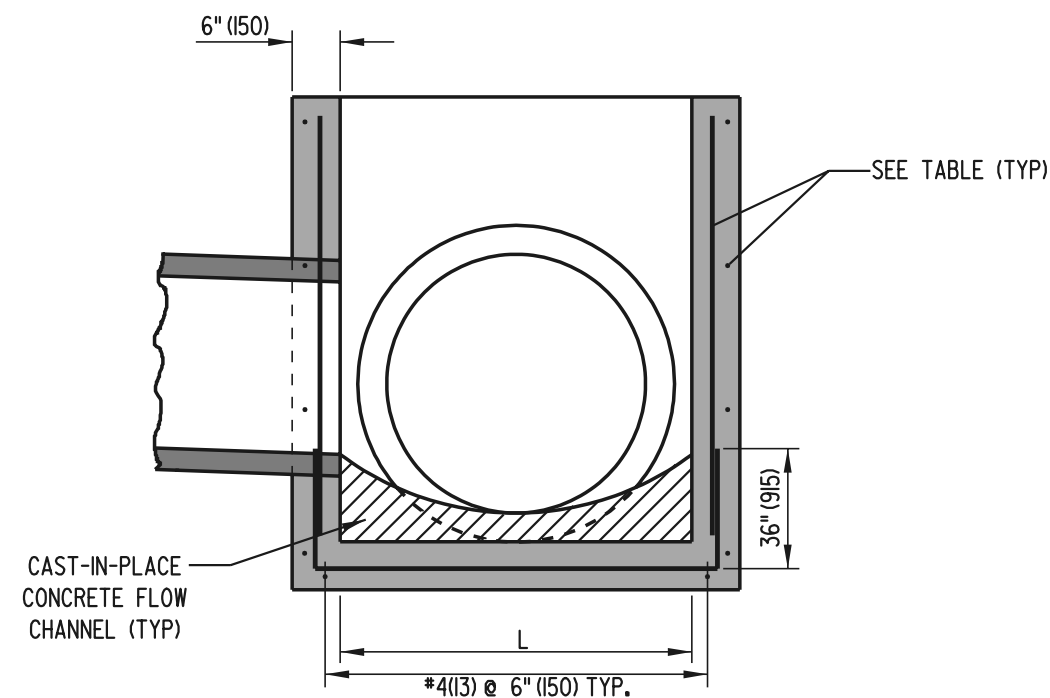
TOP VIEW

WALL REINFORCEMENT SCHEDULE		
INTERIOR WALL DIMENSION	AREA OF HORIZONTAL REINFORCEMENT PER FOOT (mm ²)	AREA OF VERTICAL REINFORCEMENT PER FOOT (mm ²)
	IN ² (mm ²)	IN ² (mm ²)
LESS THAN 4' (1220)	0.132 (85)	0.132 (85)
4' (1220) TO 4.5' (1370)	0.163 (105)	0.132 (85)
4.5' (1370) TO 5' (1525)	0.198 (128)	0.132 (85)
5' (1525) TO 5.5' (1675)	0.239 (154)	0.132 (85)
5.5' (1675) TO 6' (1830)	0.284 (183)	0.132 (85)

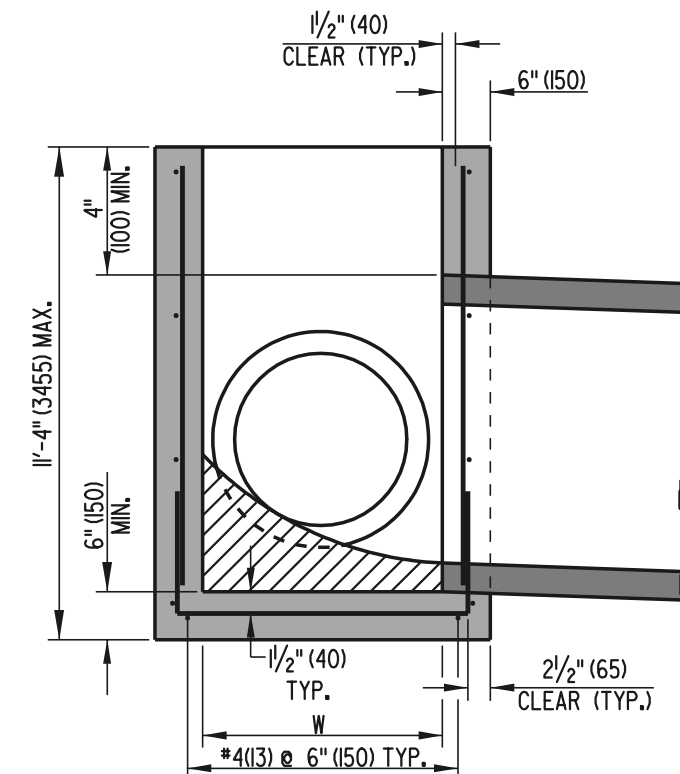
INLET BOX SCHEDULE			
L	W	L MAX	W MAX
34" (865)	18" (455)	34" (865)	18" (455)
34" (865)	24" (610)	34" (865)	24" (610)
48" (1220)	30" (760)	54" (1370)	36" (915)
48" (1220)	48" (1220)	54" (1370)	54" (1370)
66" (1675)	30" (760)	72" (1830)	36" (915)
66" (1675)	48" (1220)	72" (1830)	54" (1370)
66" (1675)	66" (1675)	72" (1830)	72" (1830)
72" (1830)	24" (610)	72" (1830)	30" (760)
72" (1830)	48" (1220)	72" (1830)	54" (1370)
72" (1830)	72" (1830)	72" (1830)	72" (1830)

NOTES:

1. INLET BOXES SHALL BE PRE-CAST OR CAST-IN-PLACE.
2. OUTSIDE OF PIPE MUST FIT INTO THE INTERIOR OF THE BOX.
3. STEPS ARE TO BE INSTALLED IN BACK WALL AS PER SPECIFICATIONS.
4. NO PIPES WITH AN OUTSIDE DIAMETER LARGER THAN 11" (275) WILL BE PERMITTED TO ENTER THE BACK WALL OF A DRAINAGE INLET OR MANHOLE TO ACCOMMODATE STEPS IF REQUIRED. A LARGER BOX MAY BE USED IN ORDER TO FIT THE STEPS AND A LARGER PIPE IN THE BACK WALL, IF NECESSARY.



SECTION A-A



SECTION B-B



DELAWARE
DEPARTMENT OF TRANSPORTATION

INLET BOX DETAILS

STANDARD NO. D-4 (2002) SHT. 1 OF 1

APPROVED *Caution Wicks* 9/6/02
CHIEF ENGINEER DATE
RECOMMENDED *Therese Delgado* 8/19/02
DESIGN ENGINEER DATE