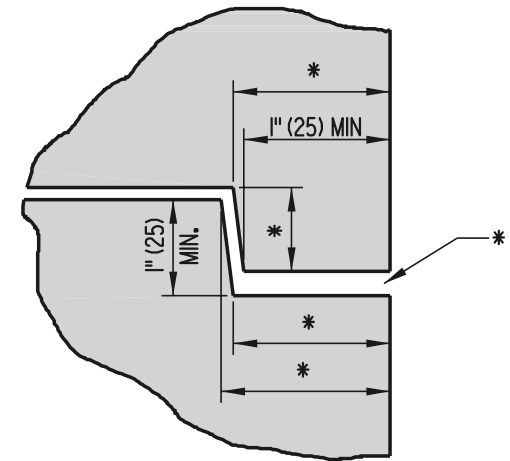
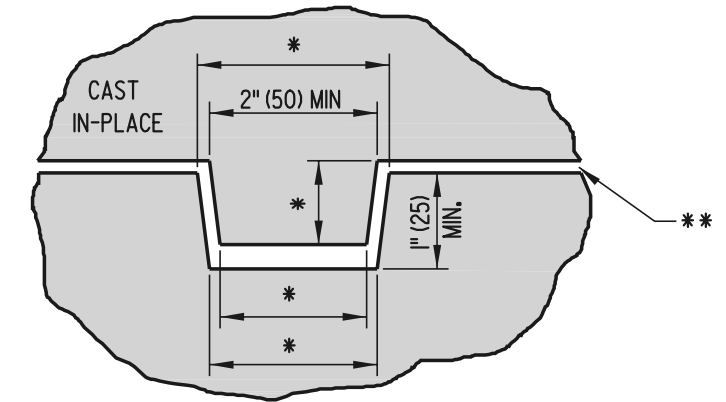


PLAN

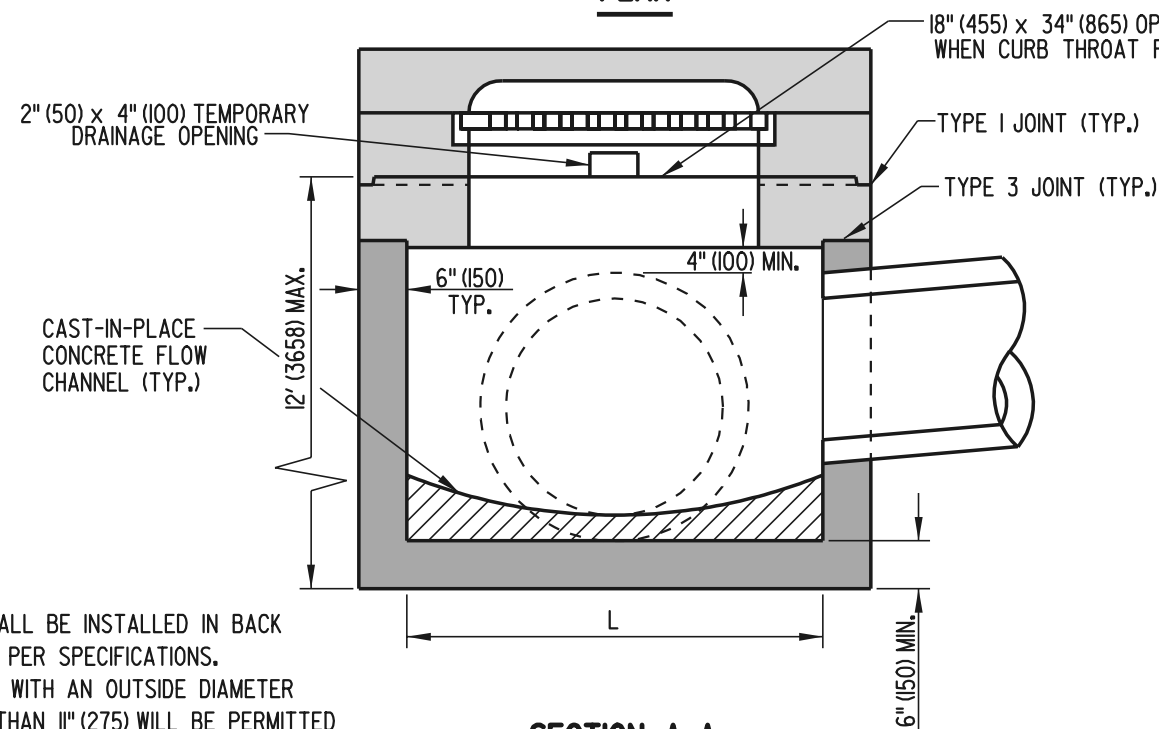


TYPE 1 JOINT DETAIL



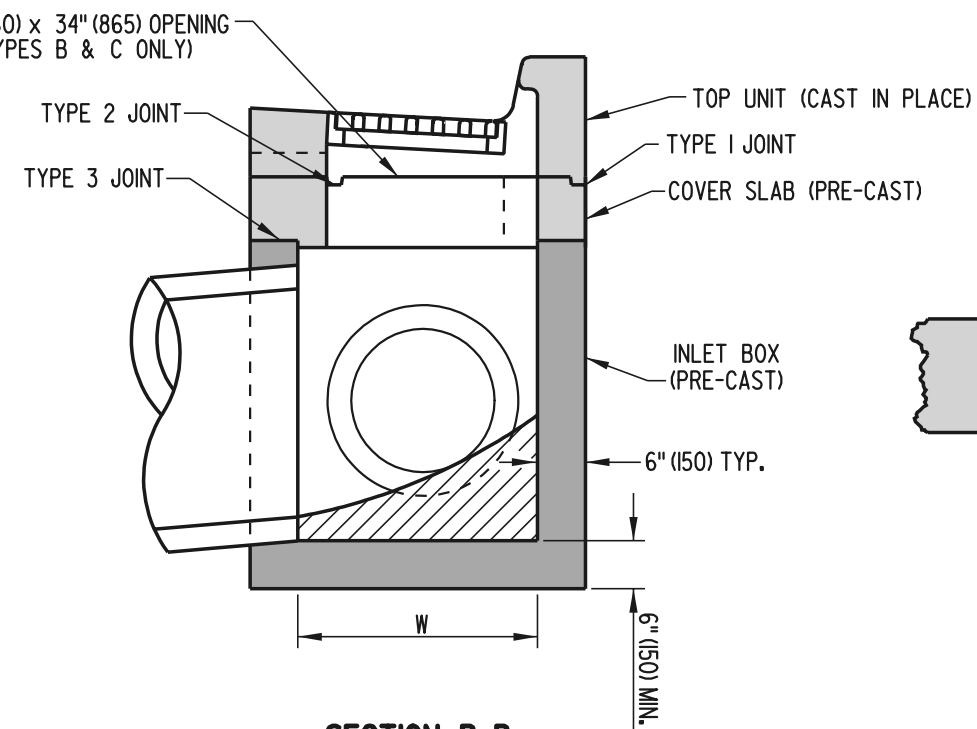
TYPE 2 JOINT DETAIL

* DIMENSIONS WILL VARY
 ** JOINT SEALANT AS PER SPECIFICATIONS

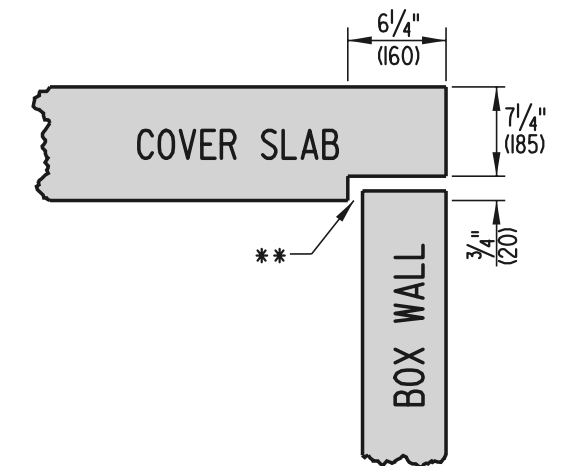


SECTION A-A

DRAINAGE INLET ASSEMBLY



SECTION B-B



TYPE 3 JOINT DETAIL

NOTES:

- 1.) STEPS SHALL BE INSTALLED IN BACK WALL AS PER SPECIFICATIONS.
- 2.) NO PIPES WITH AN OUTSIDE DIAMETER LARGER THAN 11" (275) WILL BE PERMITTED TO ENTER THE BACK WALL OF A DRAINAGE INLET, IF IT IMPEDES THE INSTALLATION OF STEPS IN THE BACK WALL.
- 3.) IF NECESSARY, A LARGER BOX MAY BE USED IN ORDER TO FIT THE STEPS AND A LARGER PIPE IN THE BACK WALL.



**DELAWARE
 DEPARTMENT OF TRANSPORTATION**

DRAINAGE INLET DETAILS

STANDARD NO. **D-5 (2002)** SHT. **1** OF **8**

APPROVED *Caution Wicks* 9/6/02
CHIEF ENGINEER DATE
 RECOMMENDED *Therese Delpho* 8/19/02
DESIGN ENGINEER DATE