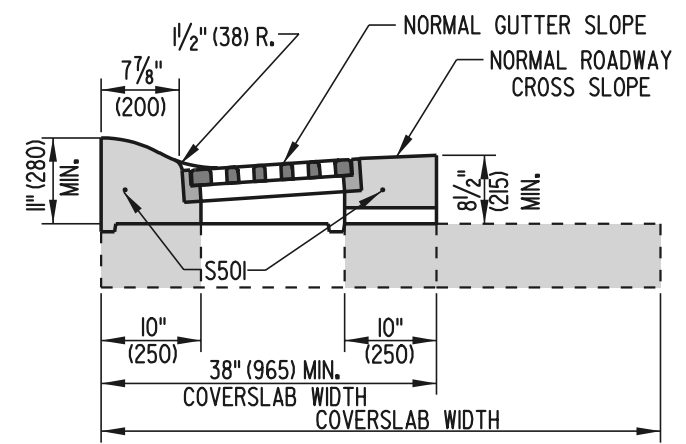
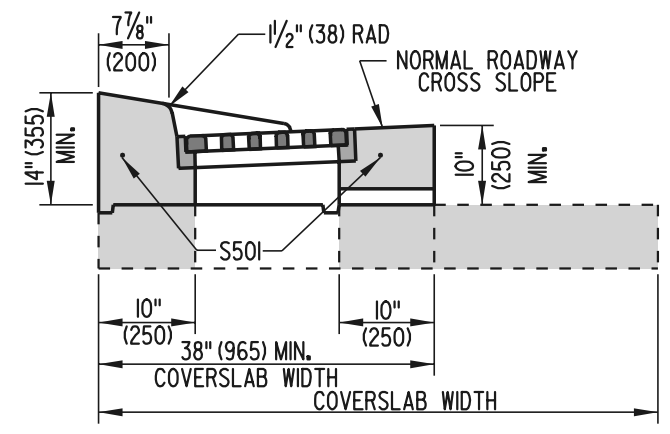


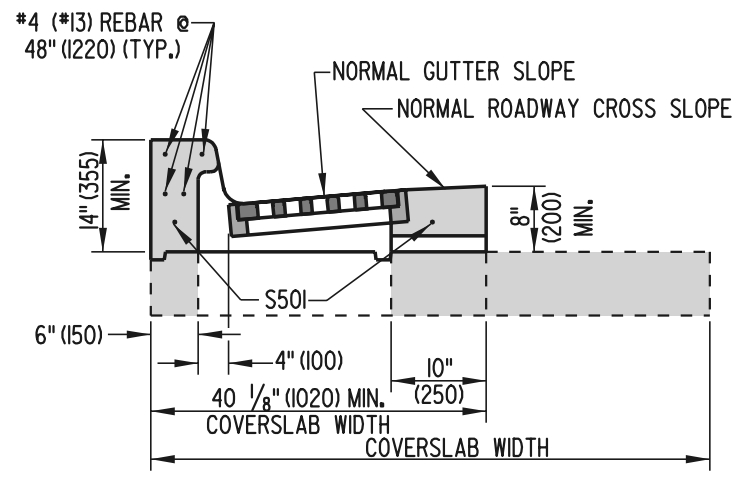
TYPE A



TYPE D

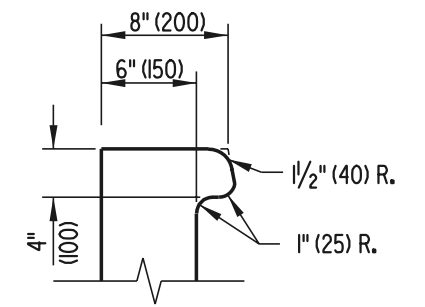


TYPE E

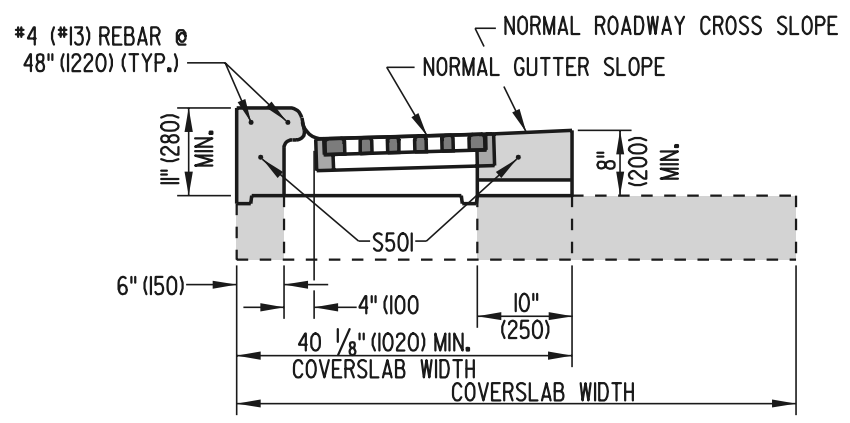


TYPE B

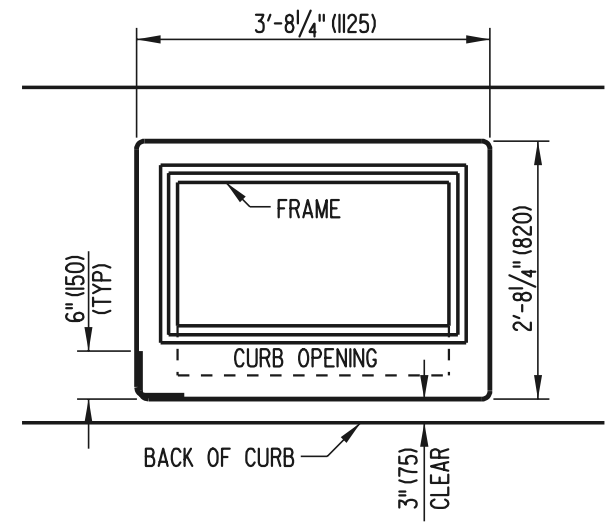
INLET TOP UNIT APPLICATIONS	
TOP UNIT	CURB
TYPE A	USE IN DRAINAGE SWALE
TYPE B	INTEGRAL PCC CURB & GUTTER, TYPE 1 & 3, PCC CURB TYPE 1
TYPE C	INTEGRAL PCC CURB & GUTTER, TYPE 4, PCC CURB TYPE 3
TYPE D	INTEGRAL PCC CURB & GUTTER, TYPE 2
TYPE E	PCC CURB TYPE 2



CURB OPENING DETAIL



TYPE C

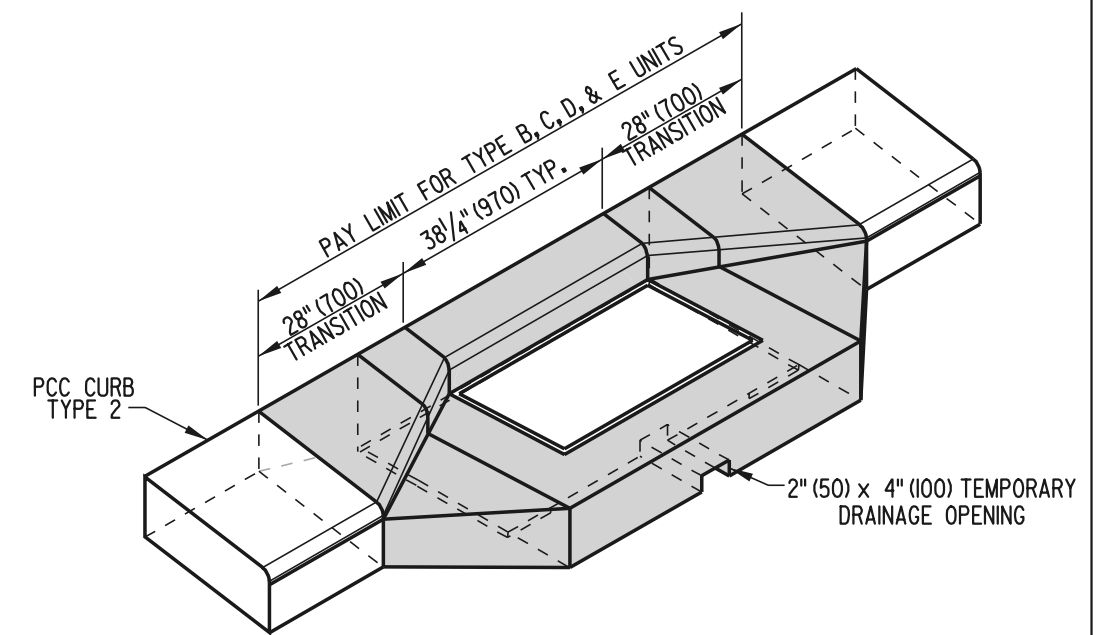


S50I BENDING DIAGRAM

S50I IS NOT REQUIRED TO BE ONE CONTINUOUS BAR. IF MORE THAN ONE BAR IS USED, THERE MUST BE A 12" (300) OVERLAP BETWEEN BARS.

DRAINAGE INLET TOP UNITS

NOTE: TOP UNIT IS TO BE CAST-IN-PLACE TO GRADE AS SPECIFIED ON PLAN SHEETS OR AS DIRECTED BY ENGINEER.



ISOMETRIC VIEW

TYPE E UNIT SHOWN