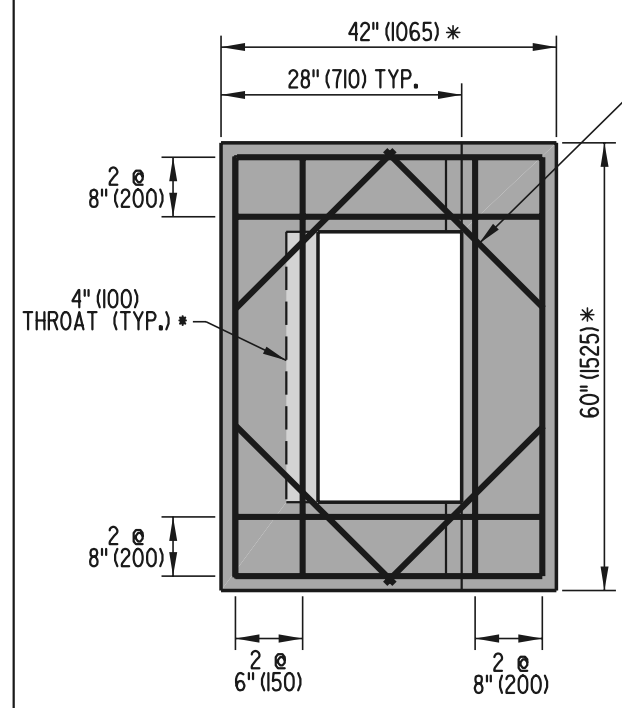


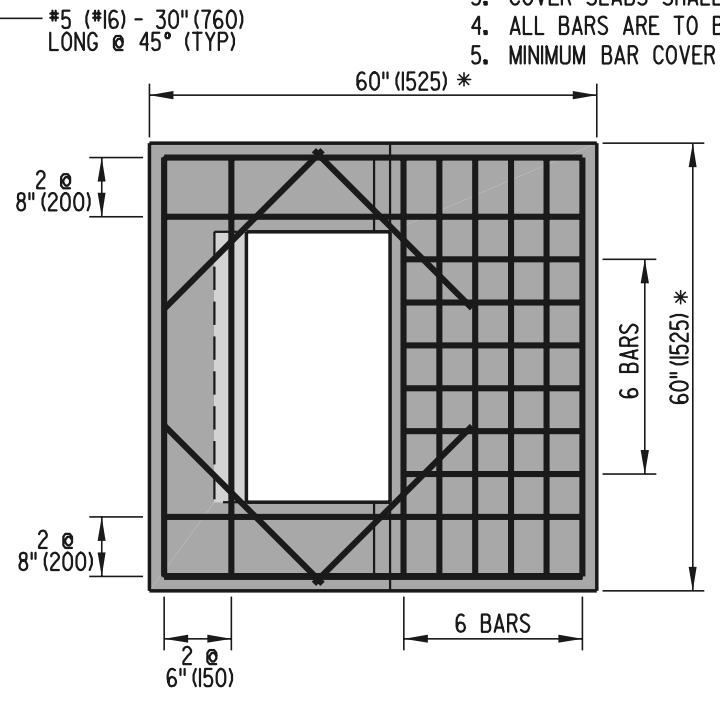
SCALE : N.T.S.

- NOTE :**
- 4" (100) THROAT IS FOR TYPES B AND C TOP UNITS ONLY.
  - RELOCATE ENCROACHING REINFORCING BARS WHEN USING TYPES B & C TOP UNITS.
  - COVER SLABS SHALL BE PRE-CAST AND MUST BE SIZED TO FIT INLET BOX DIMENSIONS.
  - ALL BARS ARE TO BE #5 (#16) SPACED @ 6" (150) ± UNLESS NOTED OTHERWISE.
  - MINIMUM BAR COVER = 1 1/2" (38).

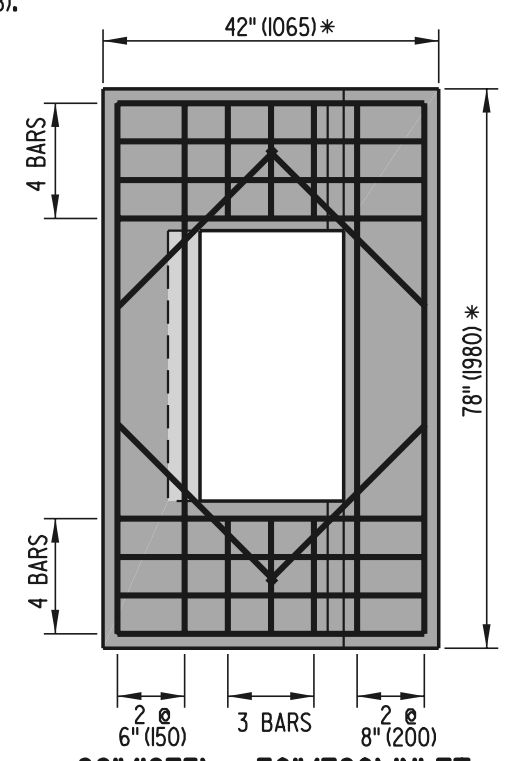
\* - DIMENSIONS TO MATCH OUTSIDE TO OUTSIDE DIMENSIONS OF BOX



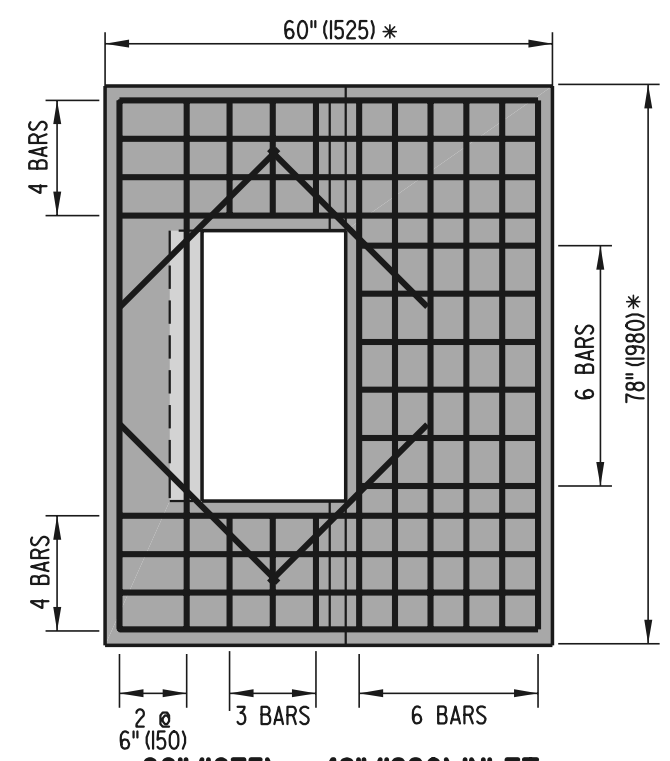
**48" (1220) x 30" (760) INLET**



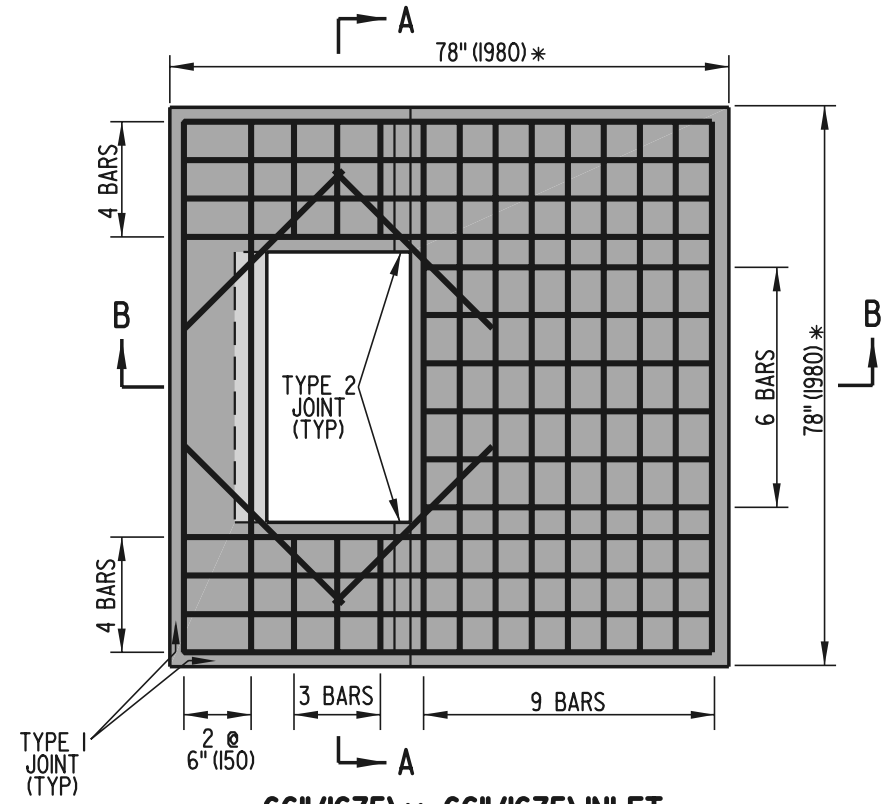
**48" (1220) x 48" (1220) INLET**



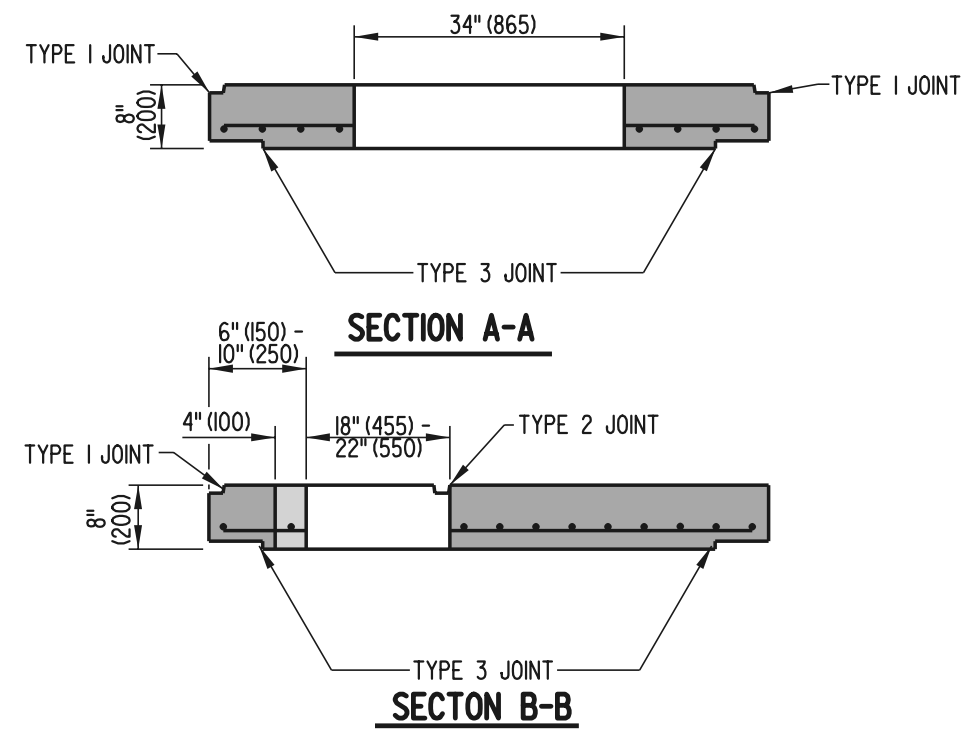
**66" (1675) x 30" (760) INLET**



**66" (1675) x 48" (1220) INLET**



**66" (1675) x 66" (1675) INLET**



**DRAINAGE INLET COVER SLAB DETAILS**

DELAWARE  
DEPARTMENT OF TRANSPORTATION

DRAINAGE INLET DETAILS			
STANDARD NO.	D-5 (2002)	SHT.	4 OF 8

APPROVED *Caution Wicks* 9/6/02  
CHIEF ENGINEER DATE

RECOMMENDED *Thurston Phelps* 8/19/02  
DESIGN ENGINEER DATE