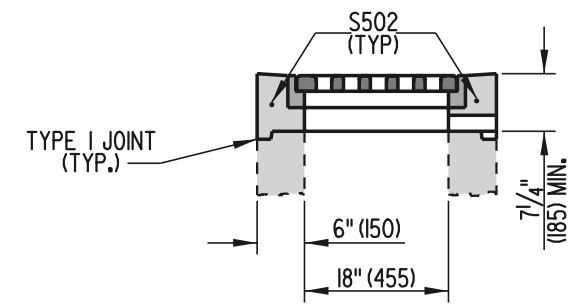
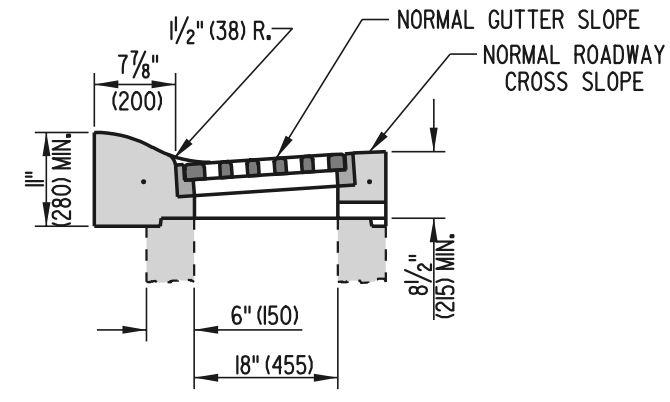


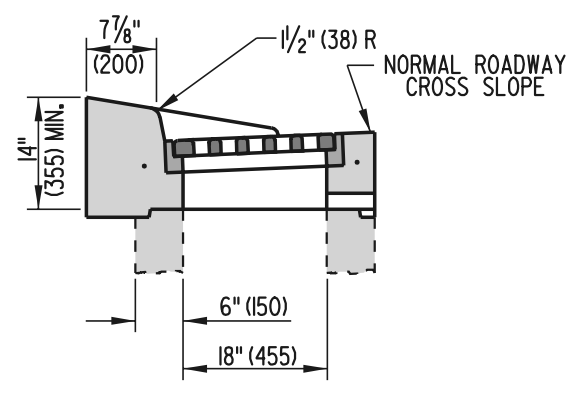
TOP VIEW



TYPE A

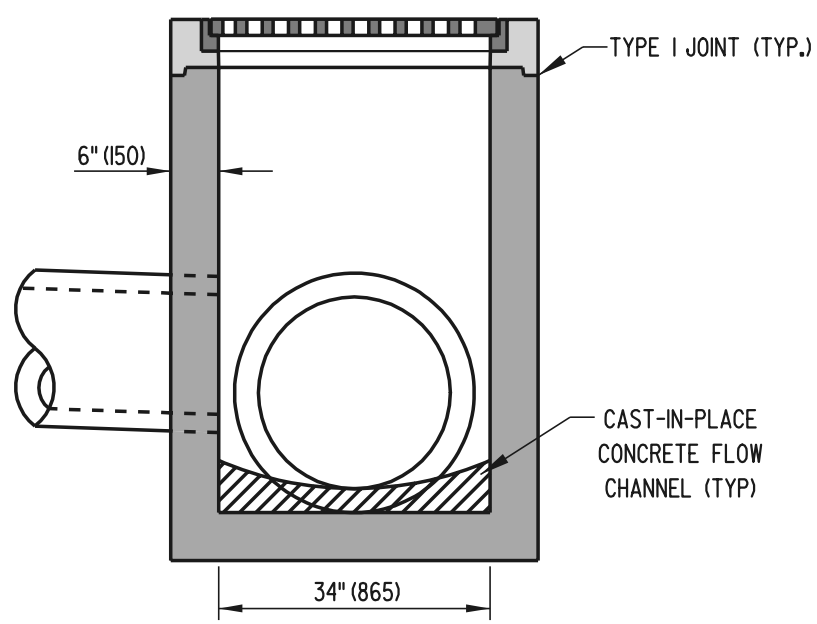


TYPE D

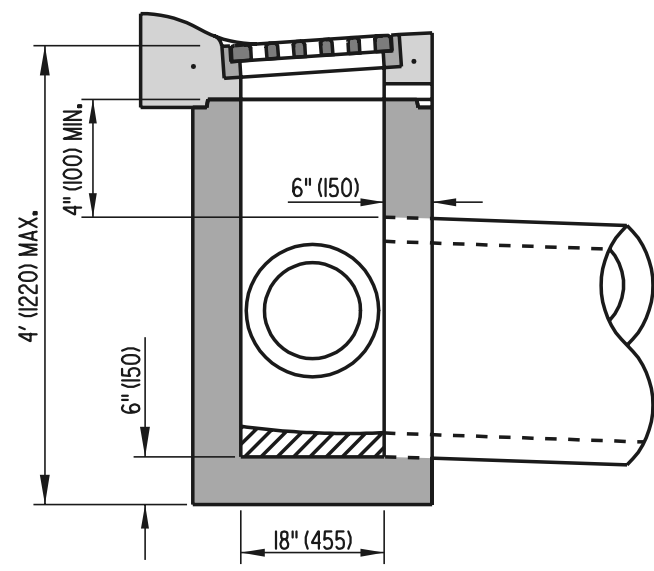


TYPE E

TOP UNIT DETAILS



SECTION A-A



SECTION B-B

34" (865) x 18" (455) DRAINAGE INLET DETAILS

- NOTES:
 1.) REFER TO PREVIOUS SHEETS FOR REINFORCEMENT REQUIREMENTS
 2.) THE HEIGHT OF THIS INLET IS LIMITED TO 4' (1220) MAXIMUM, THEREFORE STEPS WILL NOT BE REQUIRED AND SHOULD NOT BE INSTALLED ON THIS INLET.