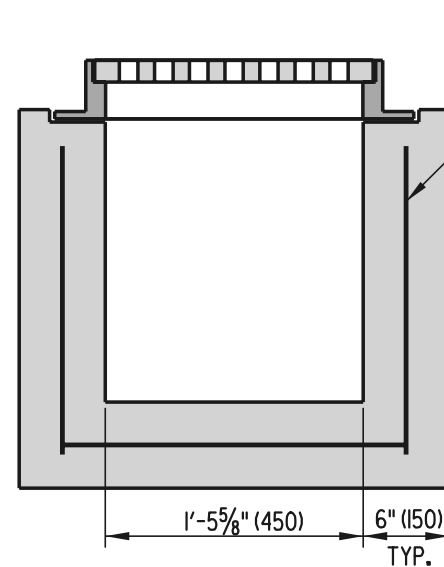
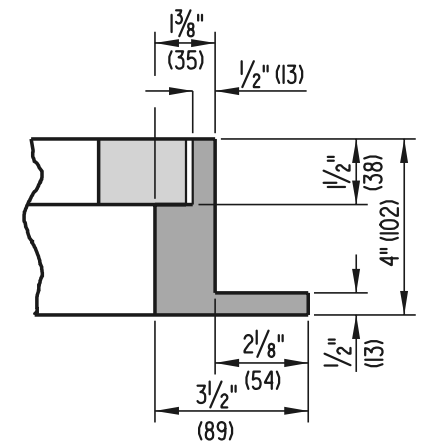
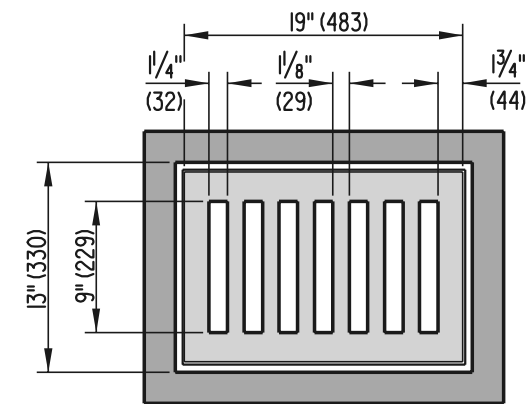
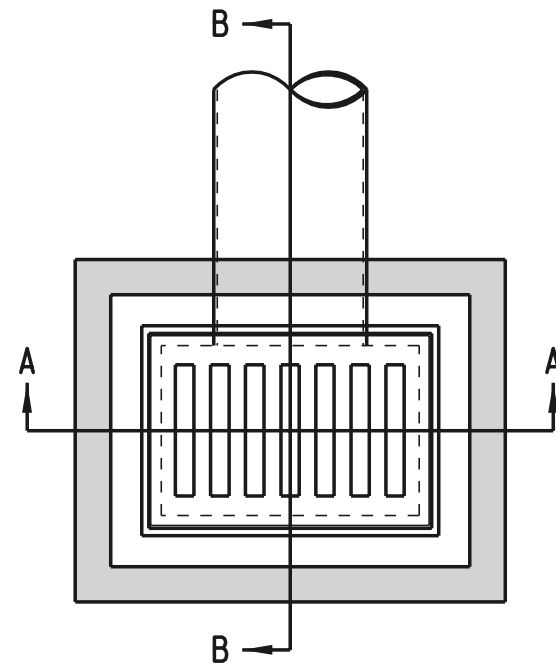
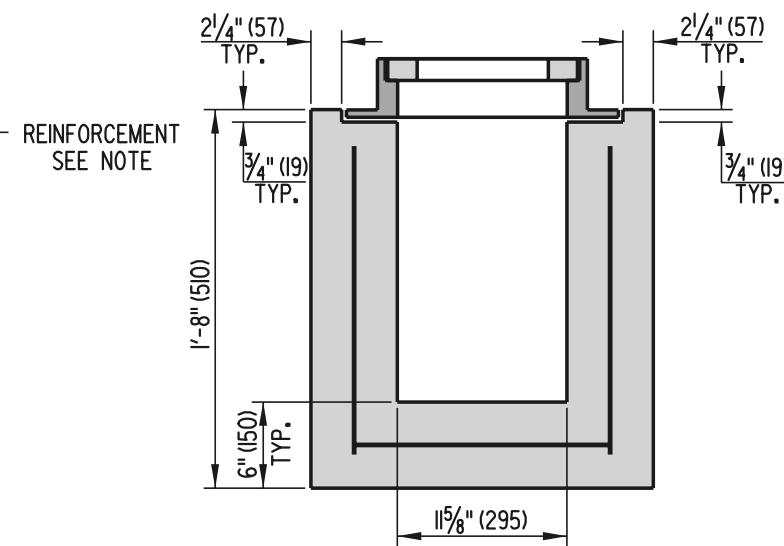


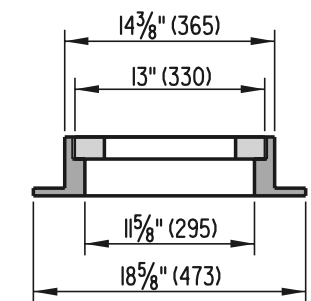
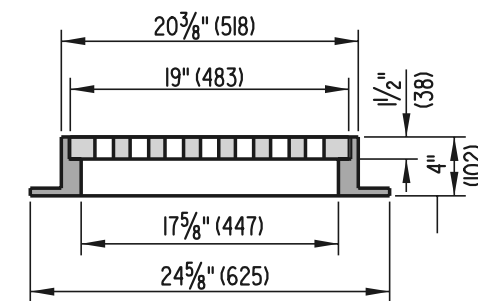
NOTE: 1. REINFORCEMENT SHALL BE 4" (102) X 4" (102) W4 X W4 (W26 X W26)
 2. INLET BOXES ARE TO BE PRE-CAST OR CAST-IN-PLACE.



SECTION A-A



SECTION B-B



DELAWARE
 DEPARTMENT OF TRANSPORTATION

LAWN INLET

STANDARD NO. D-5 (2002) SHT. 8 OF 8

APPROVED *Caution Wicks* 9/6/02
CHIEF ENGINEER DATE
 RECOMMENDED *Theresa Delgado* 8/19/02
DESIGN ENGINEER DATE