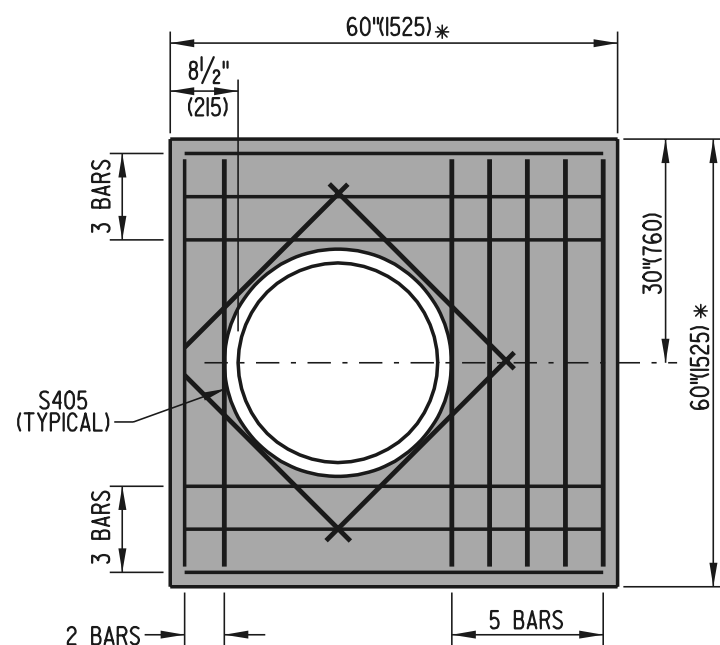
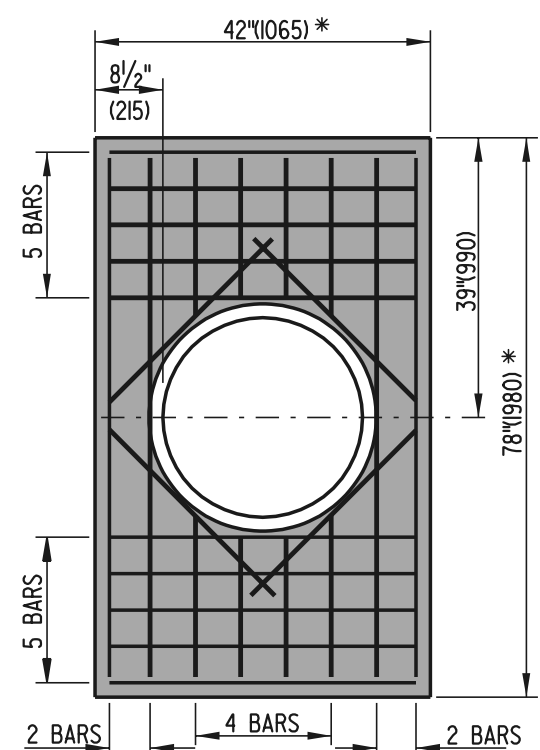


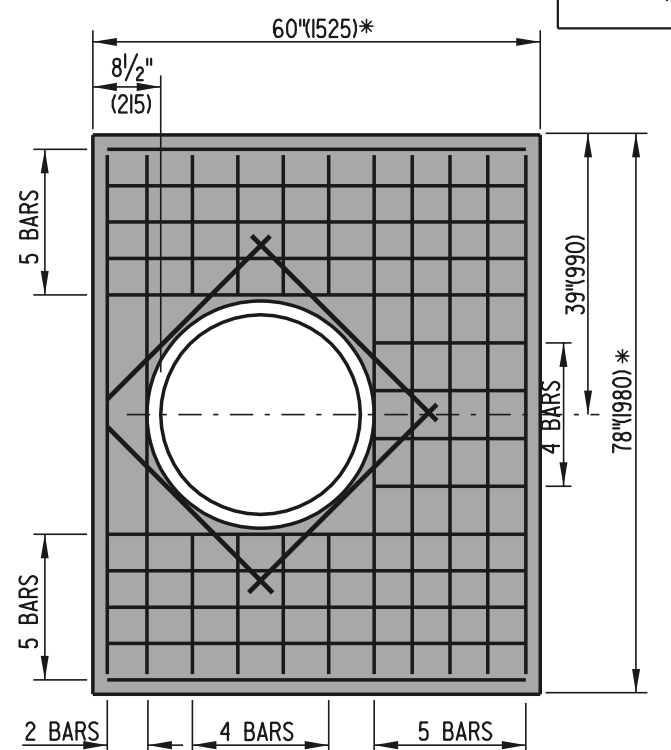
48" (1220) X 30" (760) MANHOLE



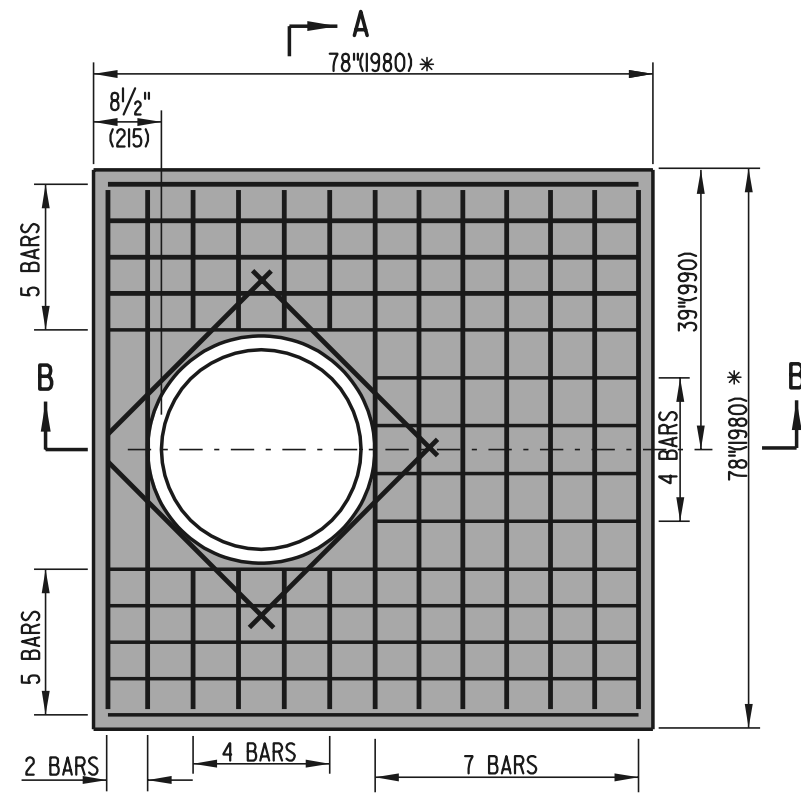
48" (1220) X 48" (1220) MANHOLE



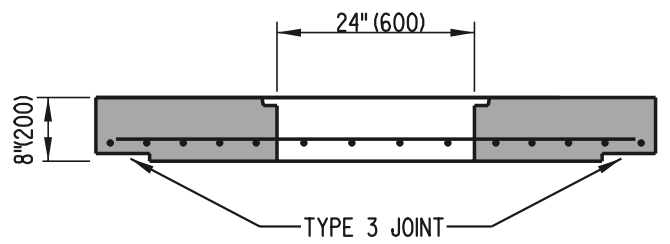
66" (1675) X 30" (760) MANHOLE



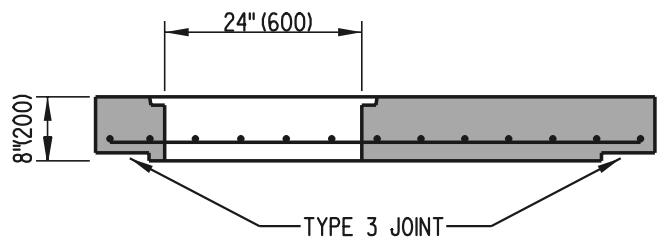
66" (1675) X 48" (1220) MANHOLE



66" (1675) X 66" (1675) MANHOLE



SECTION A-A



SECTION B-B

BOX MANHOLE COVER SLAB DETAILS

- NOTES:**
1. COVER SLABS SHALL BE PRE-CAST.
 2. ALL BARS SHALL BE #5 (*16) SPACED AT 6" (150) ± UNLESS NOTED OTHERWISE.
 3. MINIMUM BAR COVER = 1/2" (38).
- * - DIMENSIONS TO MATCH OUTSIDE TO OUTSIDE DIMENSIONS OF BOX.