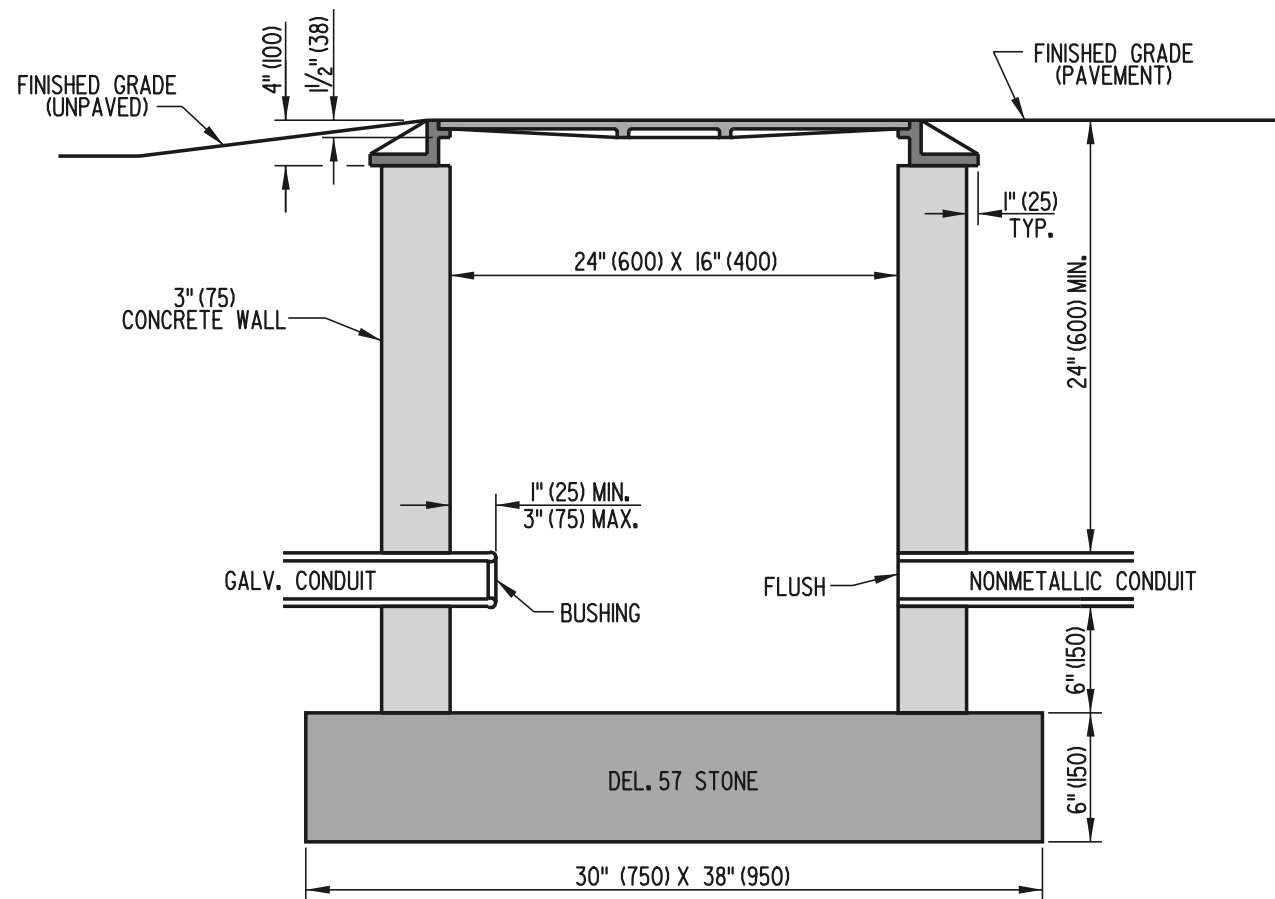


PLAN VIEW

- NOTES:**
1. TYPE 5 CONDUIT JUNCTION WELL SHALL BE PRECAST CONCRETE. AT LEAST ONE HOLE IN PRECAST WELLS WILL BE OF A 5" (125) DIAMETER COMPLETELY THROUGH THE WALL. UNUSED HOLES SHALL BE PLUGGED.
 2. ALL CONDUIT JUNCTION WELLS CONSTRUCTED WITHIN PAVEMENT, SIDEWALKS, ETC. WILL BE CONSTRUCTED FLUSH WITH THE SURFACE OF THE SAME. INSTALLATION IN UNPAVED AREAS WILL BE CONSTRUCTED ABOVE GRADE AND GRADED TO DRAIN AWAY FROM CONDUIT JUNCTION WELL.



SECTION A-A

PLAN SYMBOL



**DELAWARE
DEPARTMENT OF TRANSPORTATION**

CONDUIT JUNCTION WELL, TYPE 5

STANDARD NO. T-3 (2002) SHT. 1 OF 1

APPROVED *Caution Wicks* 9/6/02
CHIEF ENGINEER DATE
RECOMMENDED *Theresa Roberts* 8/19/02
DESIGN ENGINEER DATE