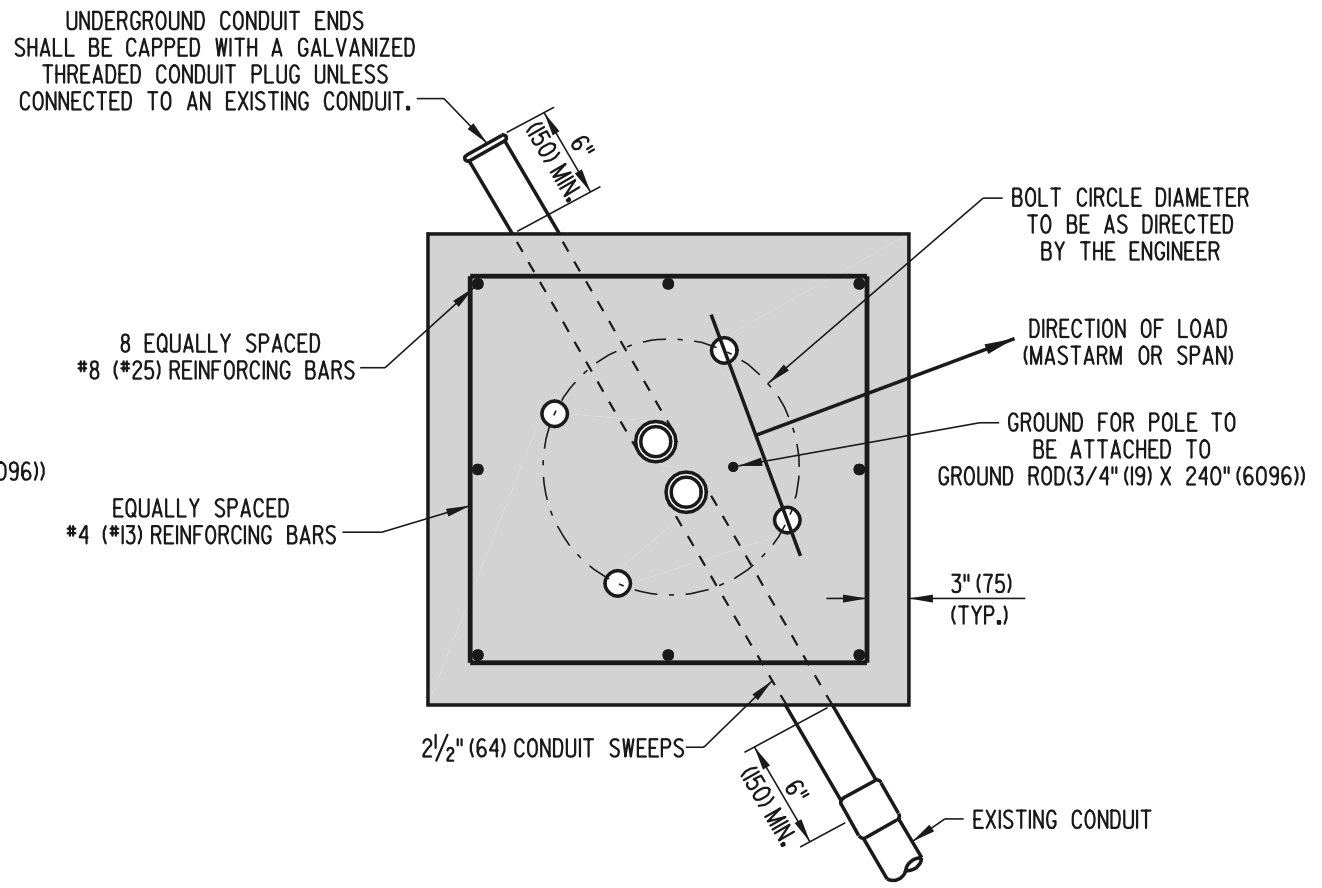


ROUND BASE



SQUARE BASE

NOTE: BASE DEPENDENT ON POLE AND EQUIPMENT TO BE ATTACHED.

PLAN SYMBOL



<p>DELAWARE DEPARTMENT OF TRANSPORTATION</p>	POLE BASES			APPROVED <i>Caution Wicks</i> 9/6/02 CHIEF ENGINEER DATE
	STANDARD NO. T-5 (2002)	SHT. 1	OF 3	RECOMMENDED <i>Theresa Delgado</i> 8/19/02 DESIGN ENGINEER DATE