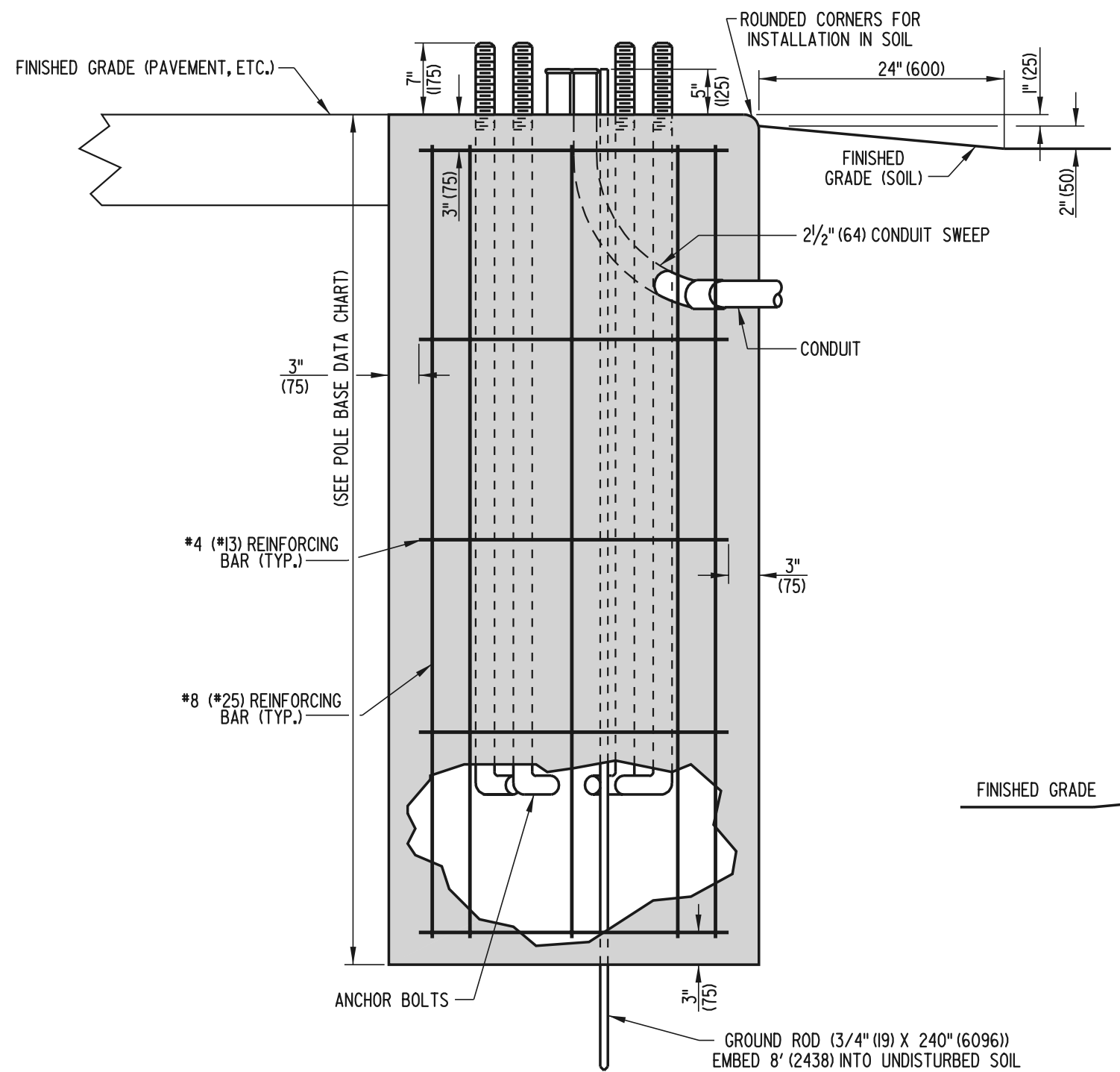
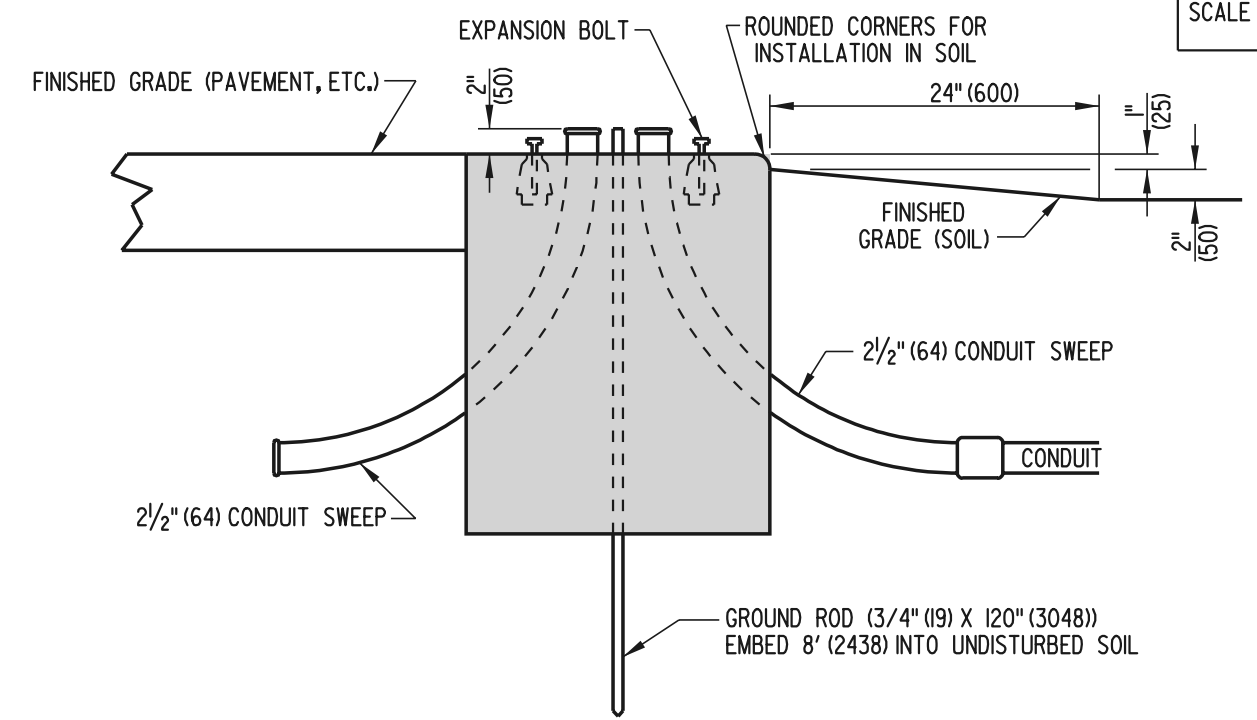


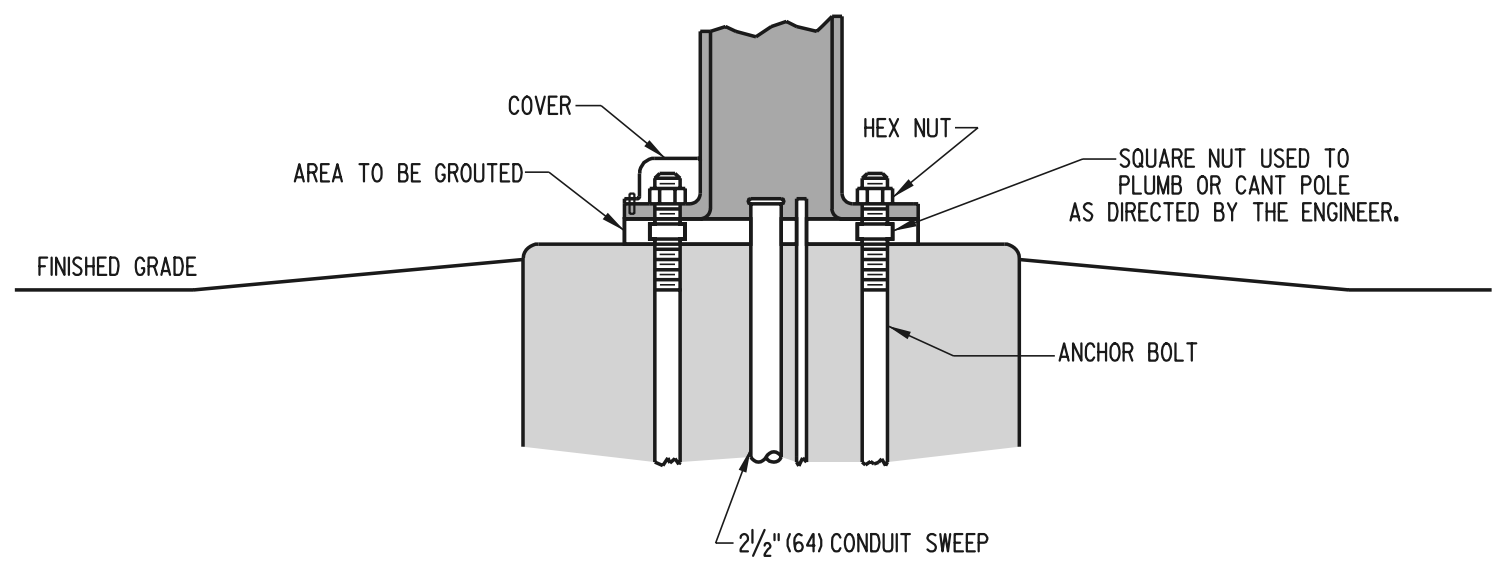
SCALE : N.T.S.



TYPICAL SECTION (BASES 1,2,2A,2B,3,3A,3B, AND 7)



TYPICAL SECTION (BASE 4)



TYPICAL INSTALLATION (BASES 1,2,2A,2B,3,3A,3B,4, AND 7)

- NOTES:**
- 1.) PLACE 2 EACH 6" (150) LONG x 1/2" (13) DIA. P.V.C., SCHEDULE 40 (TYP) VENTS IN THE GROUT AS DIRECTED IN THE FIELD BY ENGINEER.
 - 2.) SEE POLE BASE DATA CHART FOR POLE BASE DIMENSIONS.

PLAN SYMBOL