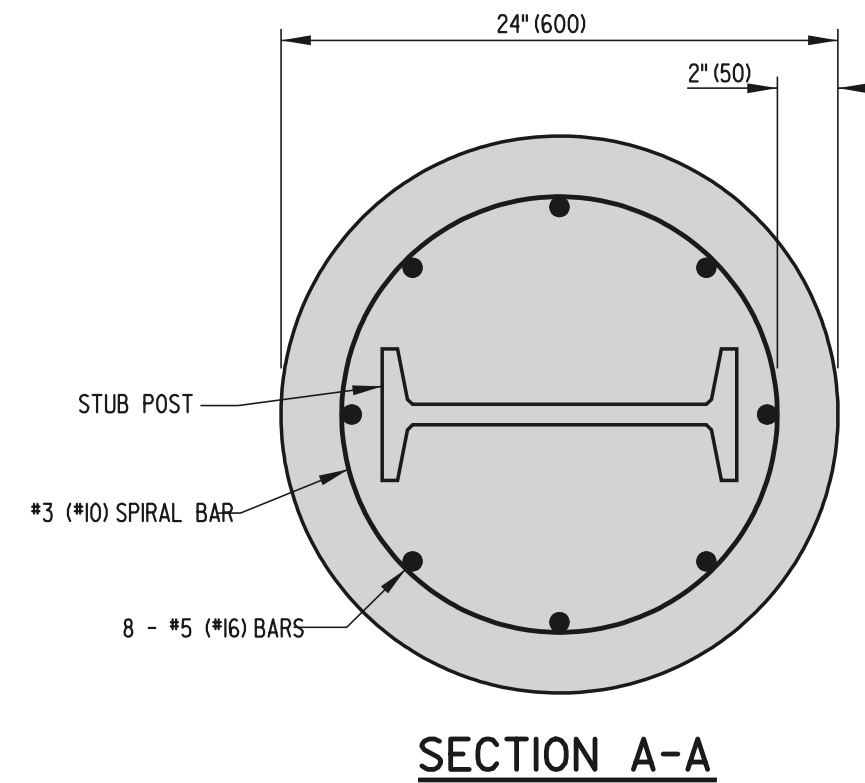


NOTES: 1). STUB POST TO BE SUPPLIED BY THE DEPARTMENTS TRAFFIC, ENGINEERING, AND MANAGEMENT SECTION.



PLAN SYMBOL



DELAWARE
DEPARTMENT OF TRANSPORTATION

SIGN FOUNDATION

STANDARD NO. T-7 (2002)

SHT. 1 OF 1

APPROVED *Caution Wicks* 9/6/02
CHIEF ENGINEER DATE

RECOMMENDED *Theresa Roberts* 8/19/02
DESIGN ENGINEER DATE