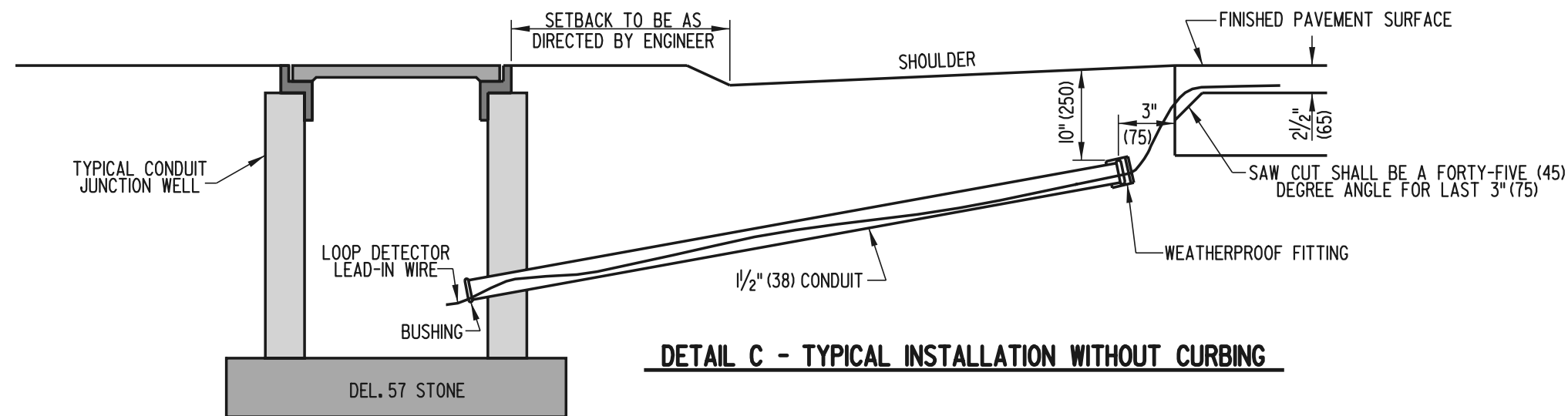
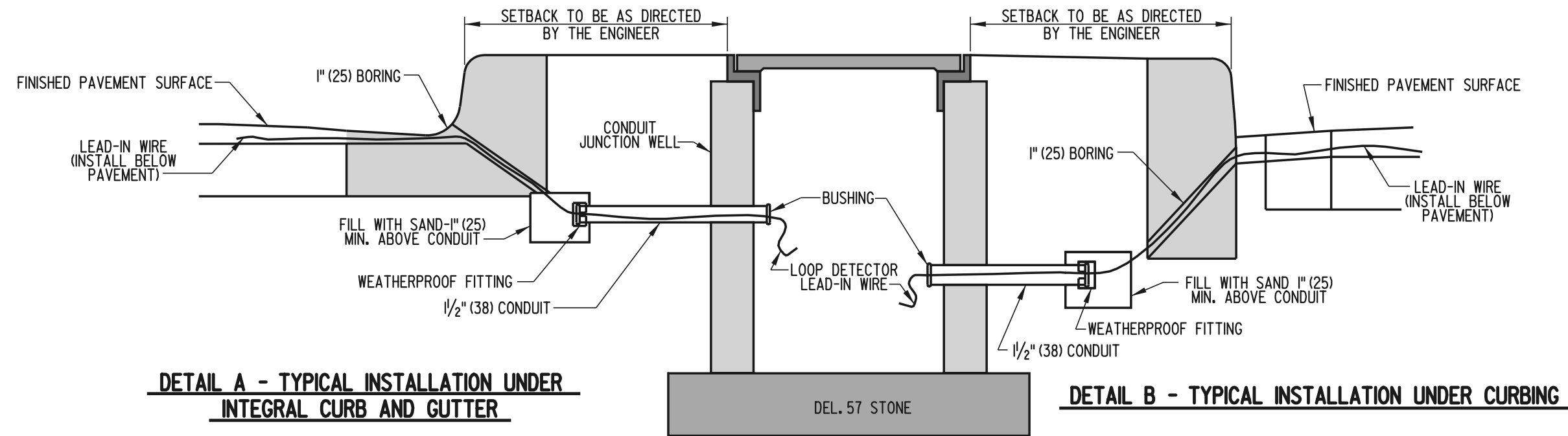


- NOTES:**
1. THE CONTRACTOR SHALL BE RESPONSIBLE FOR PROTECTING THE CONDUIT AGAINST ANY POSSIBLE DAMAGE IN PAVING OPERATIONS.
  2. THE WEATHERPROOF FITTING SHALL CONSIST OF A GALVANIZED 1/2" (38) COUPLING CONTAINING A STEEL THREADED REDUCING BUSHING (1/2" (38) TO 3/4" (19)) AND A 3/4" (19) WATERTIGHT CONNECTOR FOR SERVICE ENTRANCE CABLE.
  3. THE LEAD-IN WIRE SHALL BE RUN THROUGH THE RUBBER OF THE WEATHERPROOF FITTING.



**PLAN SYMBOL**



**DELAWARE  
DEPARTMENT OF TRANSPORTATION**

**LOOP DETECTOR TO CONDUIT JUNCTION WELL CONNECTION**

STANDARD NO. **T-8 (2002)** SHT. **1** OF **1**

APPROVED *Caution Wicks* 9/6/02  
CHIEF ENGINEER DATE  
 RECOMMENDED *Therese Delpho* 8/19/02  
DESIGN ENGINEER DATE