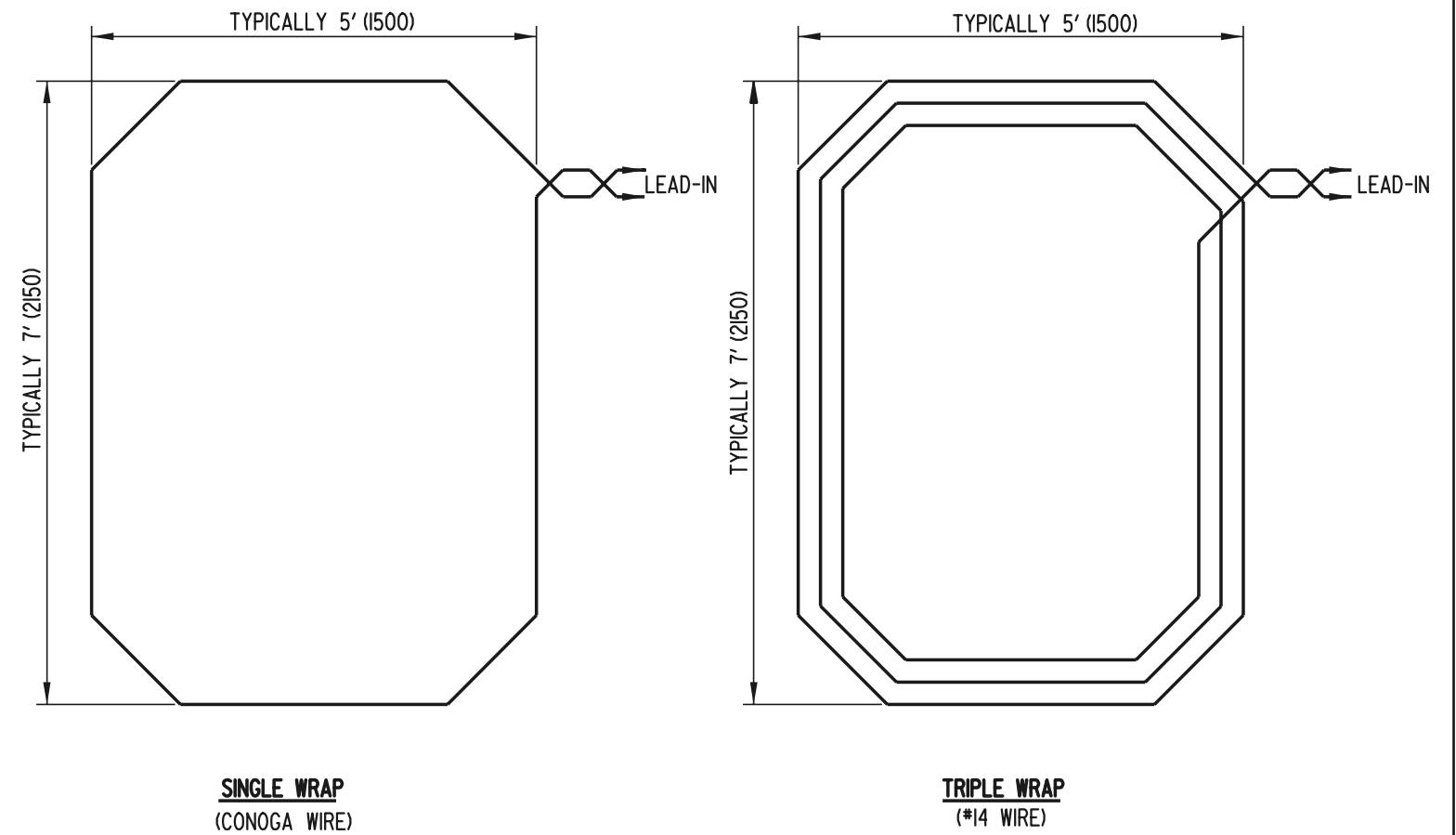


WIRE SLOT CONSTRUCTION



DETAILS FOR INSTALLING DETECTOR CABLE

NOTES: 1). SAW CUTS FOR WIRE SLOT CONSTRUCTION SHALL BE EXTENDED BEYOND THE CORNERS SO THAT THE SLOT IS FULL DEPTH AT TURN POINTS. A FORTY-FIVE (45) DEGREE ANGLE SHALL BE CUT 12" (300) BACK FROM THE POINT OF THE EXTENDED CORNER.

PLAN SYMBOL



**DELAWARE
DEPARTMENT OF TRANSPORTATION**

TYPE #1 LOOP DETECTOR

STANDARD NO. **T-9 (2002)** SHT. **1** OF **1**

APPROVED *Caution Wicks* 9/6/02
CHIEF ENGINEER DATE
 RECOMMENDED *Theresa Delpho* 8/19/02
DESIGN ENGINEER DATE