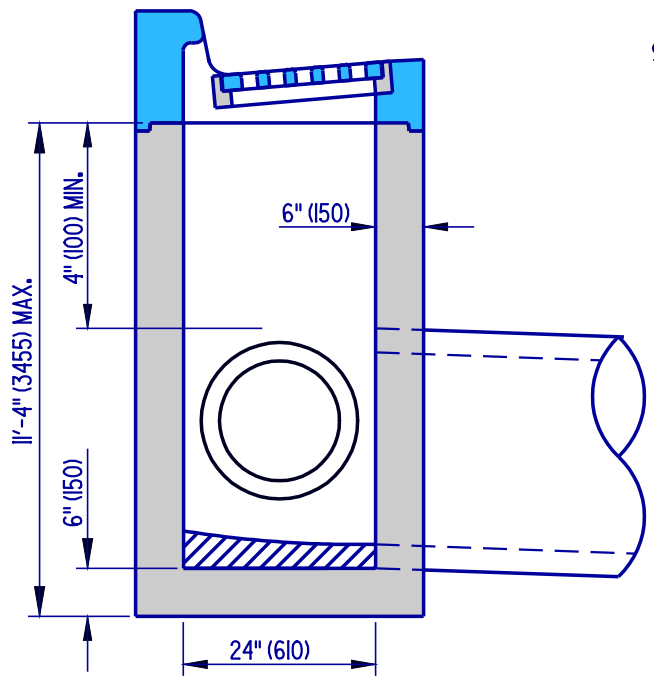
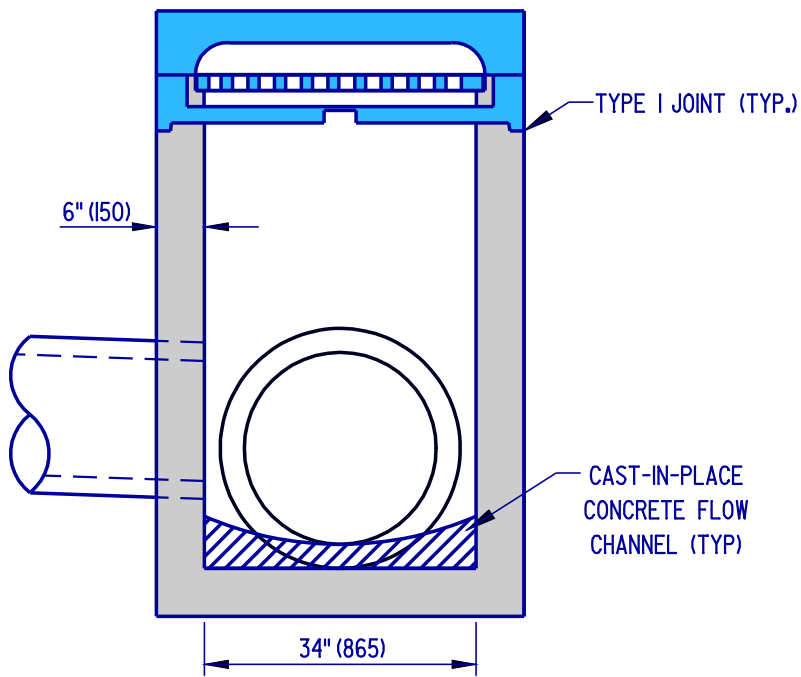
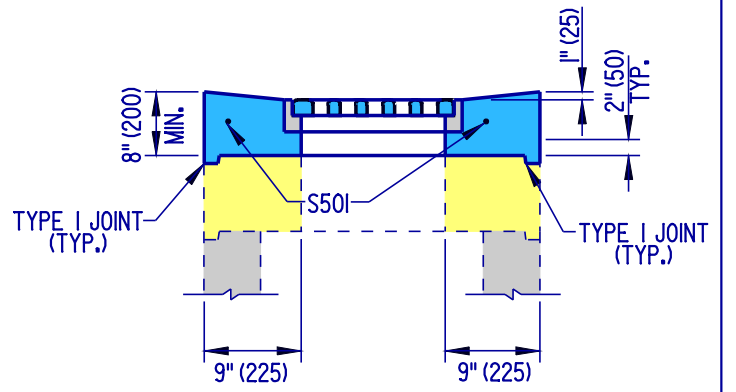
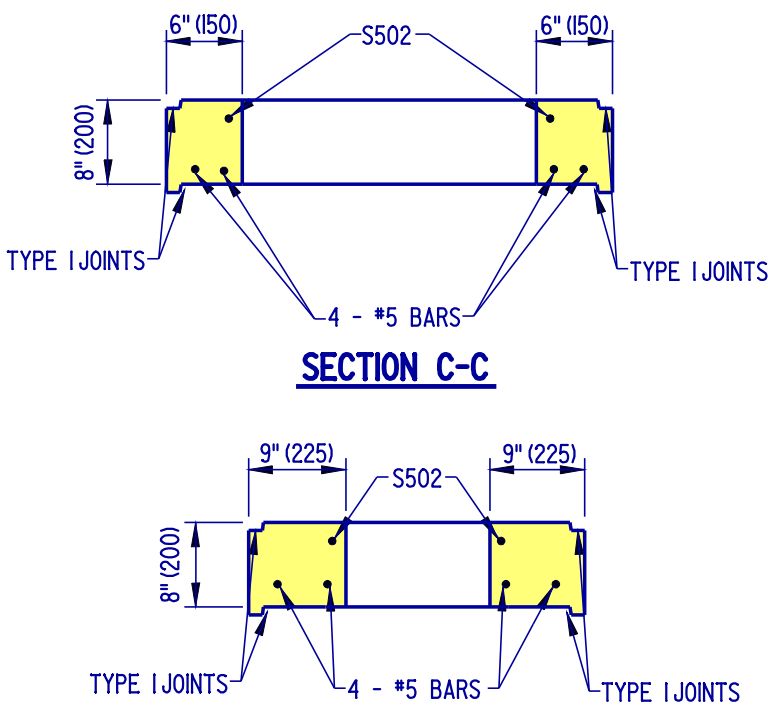
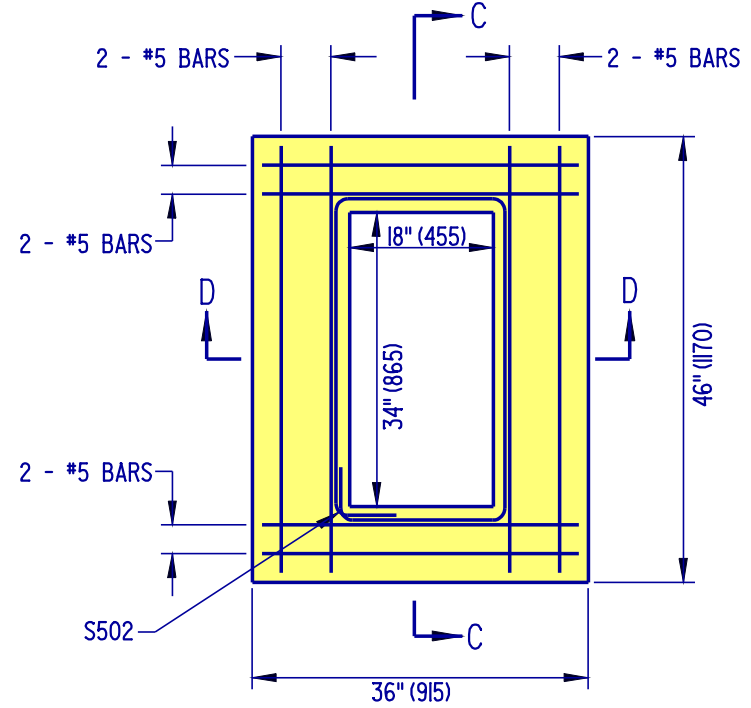
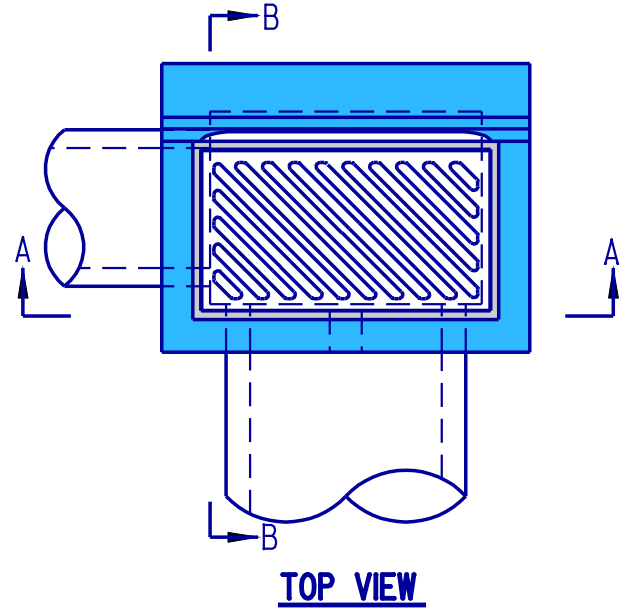
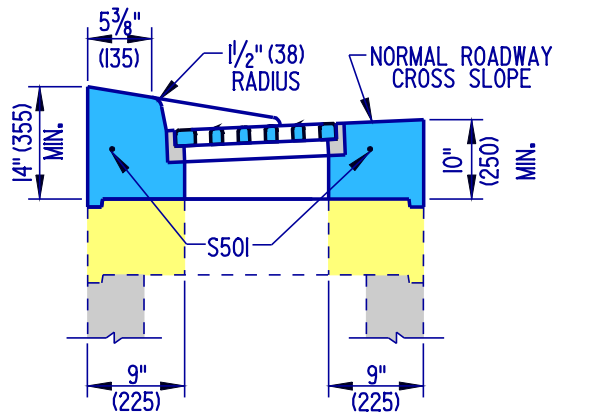
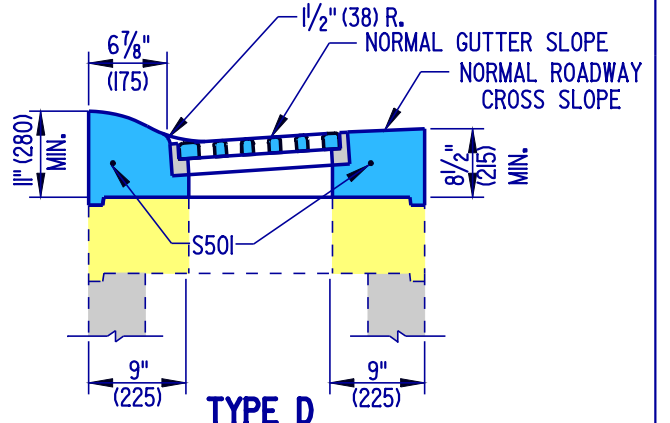
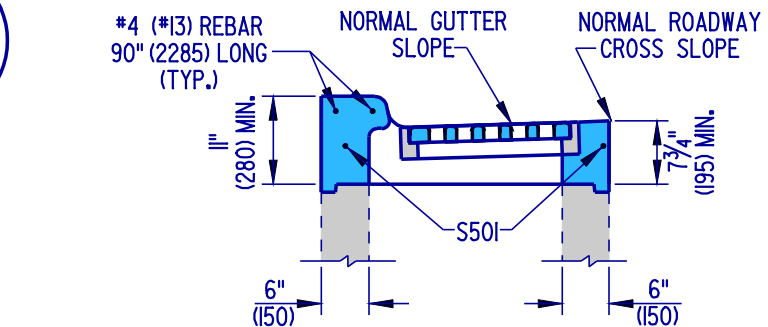
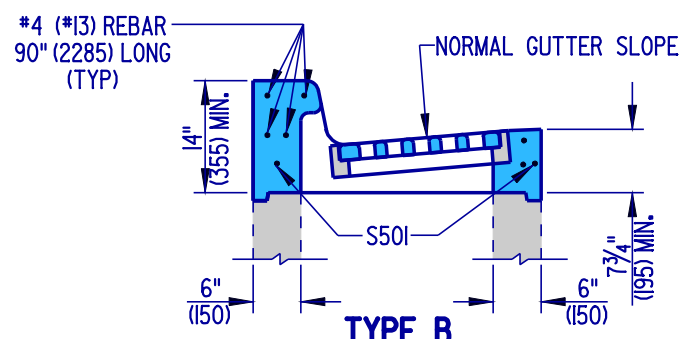


SCALE : N.T.S.



34" (865) x 24" (610) DRAINAGE INLET DETAILS
NOTE: REFER TO PREVIOUS SHEETS FOR REINFORCING REQUIREMENTS



TOP UNIT DETAILS



DELAWARE
DEPARTMENT OF TRANSPORTATION

DRAINAGE INLET DETAILS

STANDARD NO. **D-5 (2004)** SHT. **6** OF **8**

APPROVED *Carolann Wicks* 1/10/05
CHIEF ENGINEER DATE
RECOMMENDED *Dennis M. O'Flaherty* 1/13/05
DESIGN ENGINEER DATE