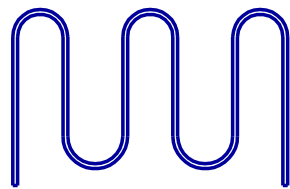
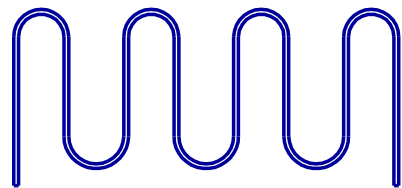


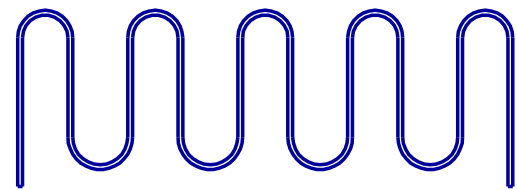
5 BIKES
W = 38" (965)



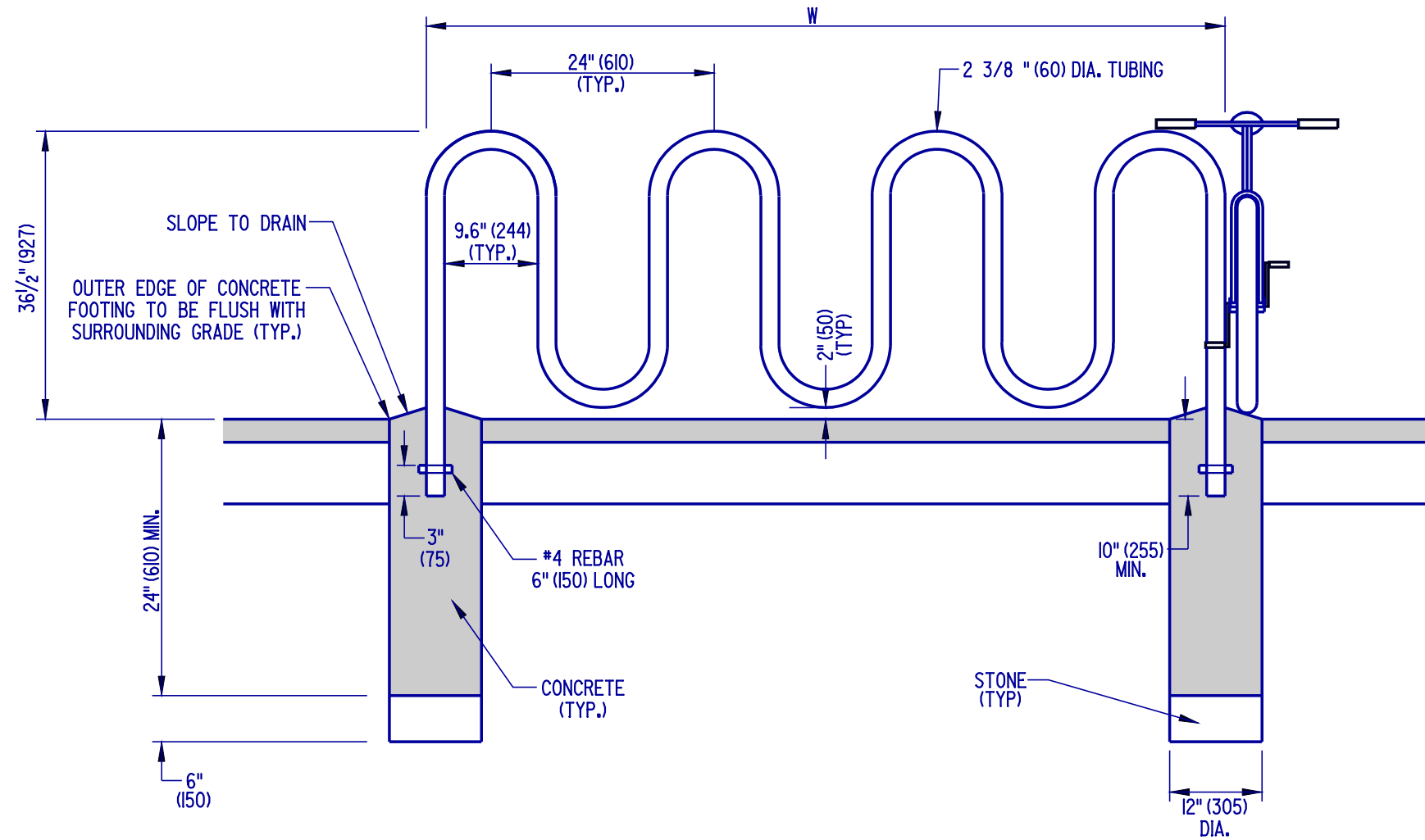
7 BIKES
W = 63" (1600)



9 BIKES
W = 87" (2210)



11 BIKES
W = 111" (2819)



BICYCLE RACK
N.T.S.



DELAWARE
DEPARTMENT OF TRANSPORTATION

BIKE RACK DETAILS

STANDARD NO.

M-4 (2004)

SHT. 1

OF 1

APPROVED

Carolann Wicks
CHIEF ENGINEER 1/10/05
DATE

RECOMMENDED

Dennis M. O'Flaherty
DESIGN ENGINEER 1/13/05
DATE