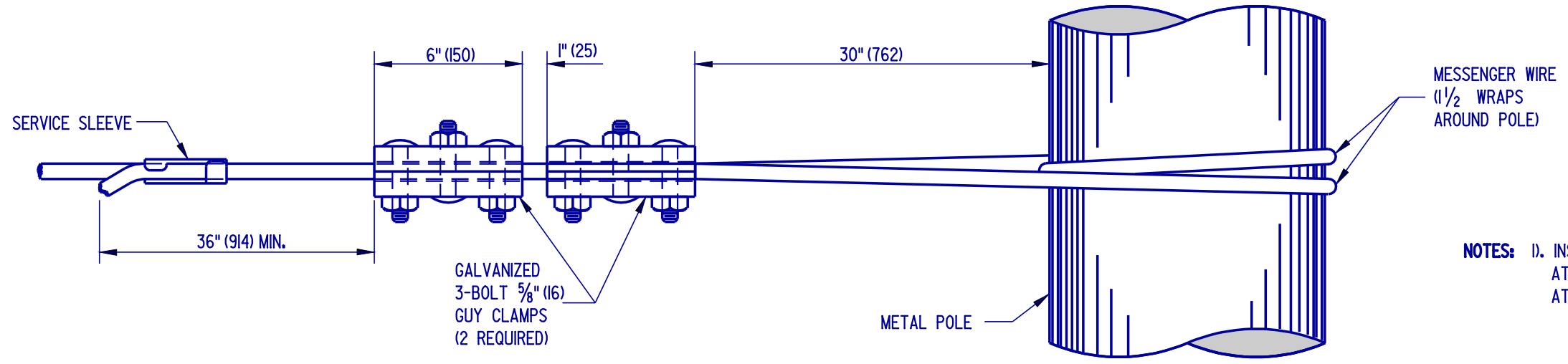


**WOOD POLES**



**NOTES:** 1). INSTALLATION METHOD SHOWN FOR DEAD END MESSANGER WIRE ATTACHMENT TO METAL POLES SHALL BE USED FOR SPAN WIRE ATTACHMENT BETWEEN METAL POLES.

**PLAN SYMBOL**



**METAL POLES**



DELAWARE  
DEPARTMENT OF TRANSPORTATION

DEAD END MESSANGER WIRE ATTACHMENT				
STANDARD NO.	T-12 (2004)	SHT.	2	OF 2

APPROVED *Carolann Wick* 1/10/05  
CHIEF ENGINEER DATE

RECOMMENDED *Dennis M. O'Flaherty* 1/13/05  
DESIGN ENGINEER DATE