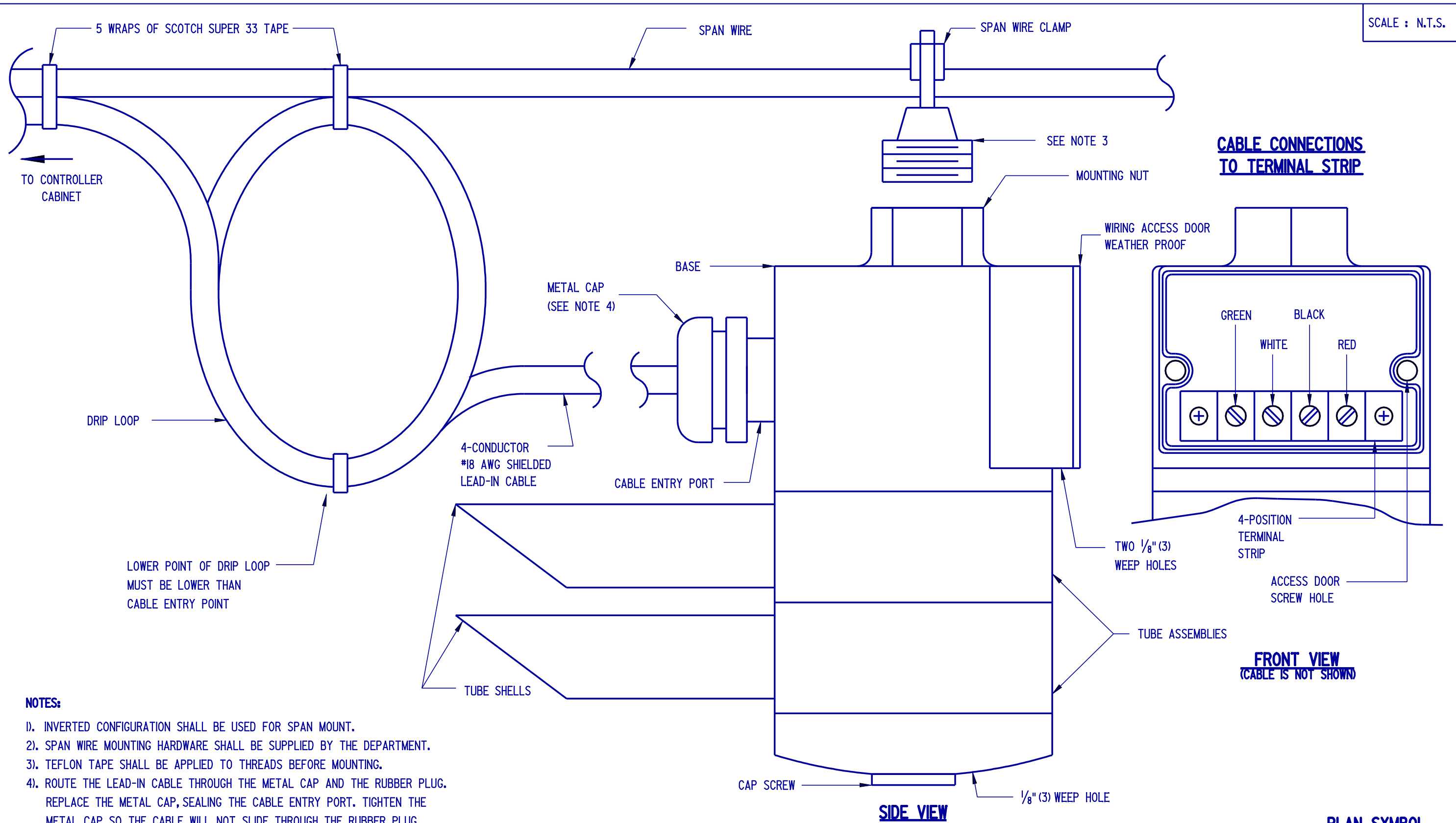


SCALE : N.T.S.



**NOTES:**

- 1). INVERTED CONFIGURATION SHALL BE USED FOR SPAN MOUNT.
- 2). SPAN WIRE MOUNTING HARDWARE SHALL BE SUPPLIED BY THE DEPARTMENT.
- 3). TEFLON TAPE SHALL BE APPLIED TO THREADS BEFORE MOUNTING.
- 4). ROUTE THE LEAD-IN CABLE THROUGH THE METAL CAP AND THE RUBBER PLUG. REPLACE THE METAL CAP, SEALING THE CABLE ENTRY PORT. TIGHTEN THE METAL CAP SO THE CABLE WILL NOT SLIDE THROUGH THE RUBBER PLUG.