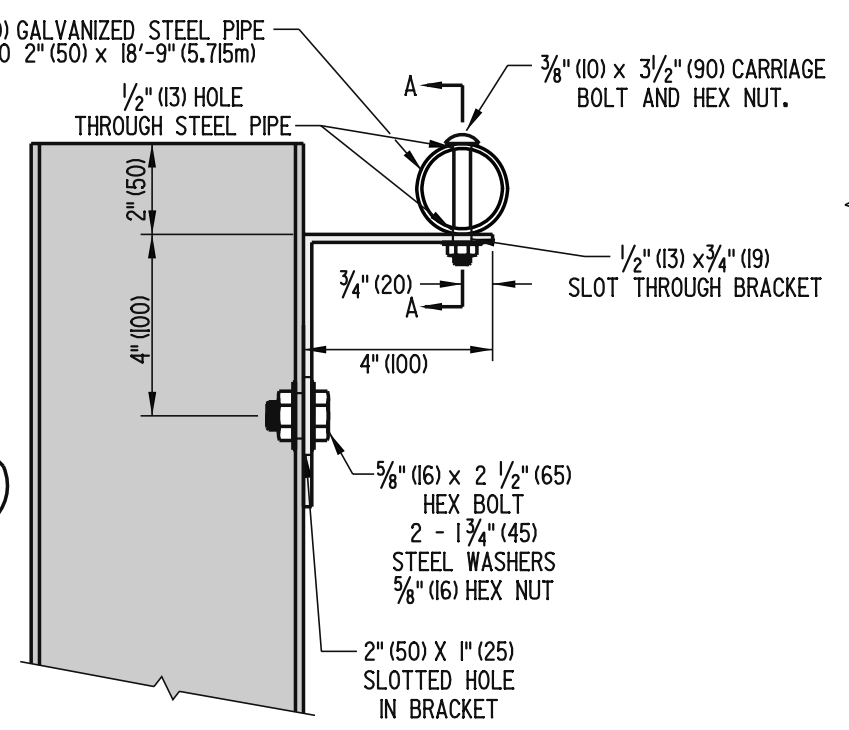
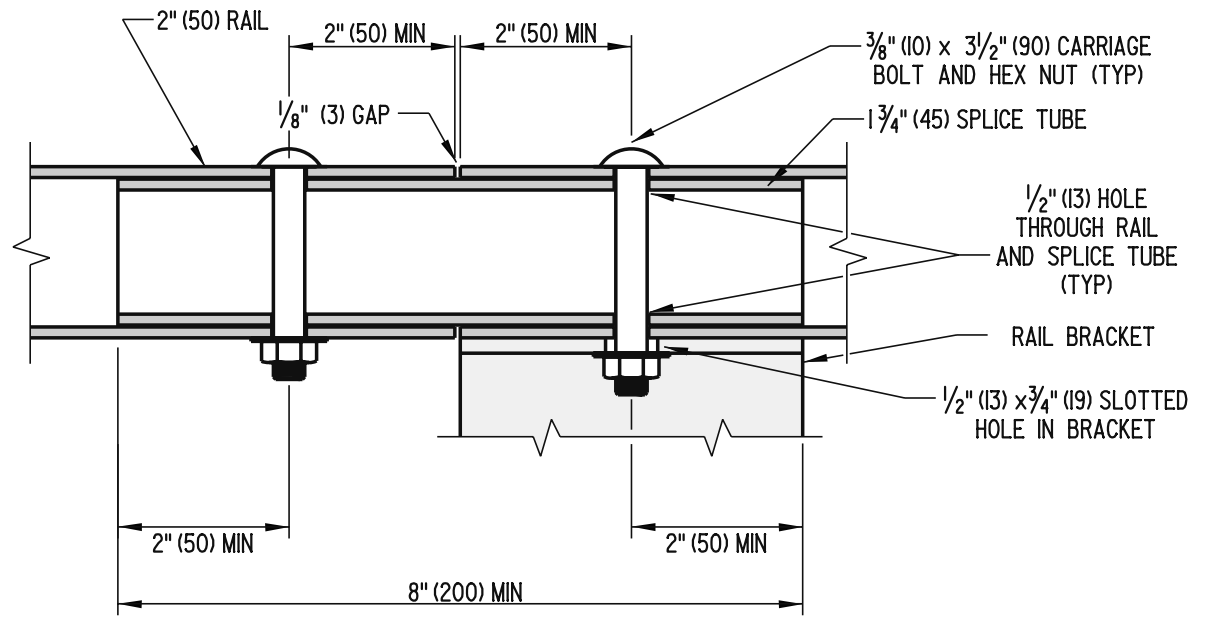


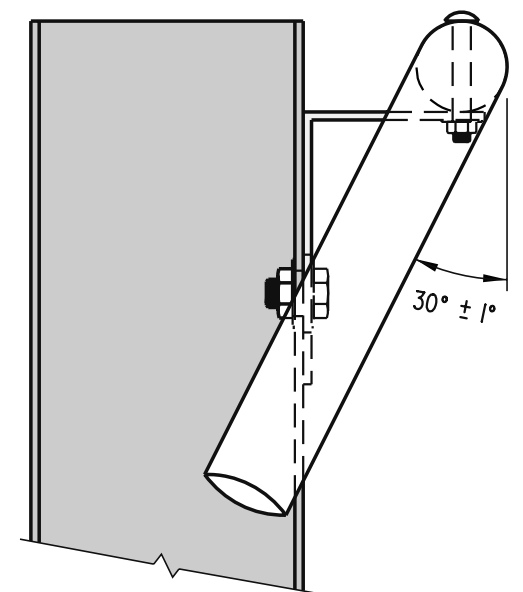
**REAR VIEW WITH START & END SECTION**



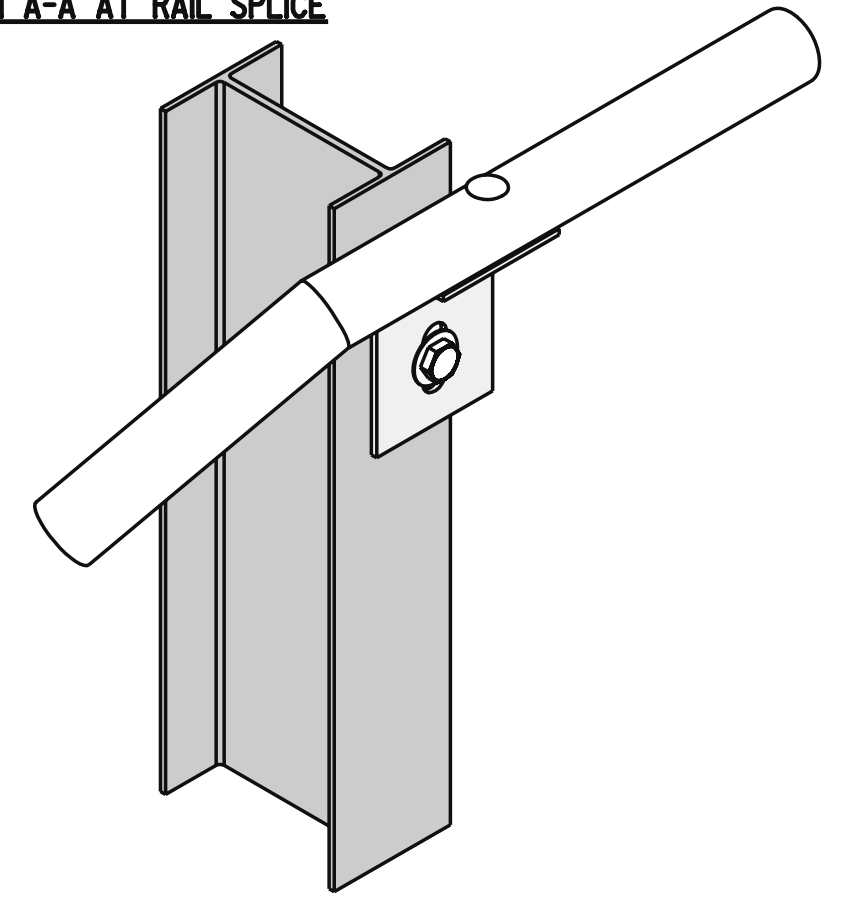
**SIDE VIEW**



**SECTION A-A AT RAIL SPLICE**



**SIDE VIEW WITH START & END SECTION**



**ISOMETRIC VIEW WITH START & END SECTION**

- NOTES:**
- 1). RAIL SHALL BE MOUNTED ON GUARDRAIL ADJACENT TO A BIKEWAY OR SIDEWALK.
  - 2). ALL COMPONENTS OF THE RAIL SHALL BE SHOP FABRICATED. ALL CUTTING AND DRILLING SHALL BE DONE IN THE SHOP.
  - 3). ALL EXPOSED THREADED HARDWARE SHALL BE BURRED.
  - 4). GUARDRAIL POSTS UPON WHICH RAIL IS TO BE INSTALLED SHALL BE SHOP DRILLED FOR THE RAIL BRACKETS DURING FABRICATION.
  - 5). ALL RAIL SPLICES WILL BE AT RAIL SUPPORT BRACKETS, THE SAME BOLT USED TO ATTACH THE RAIL TO THE BRACKET WILL BE USED TO SECURE THE SPLICE TUBE.
  - 6). RAILS SHALL BE INSTALLED ONLY ON STANDARD W-BEAM SECTIONS AND AT LEAST ONE POST AWAY FROM THE PAYMENT LIMITS OF THE END TREATMENT.