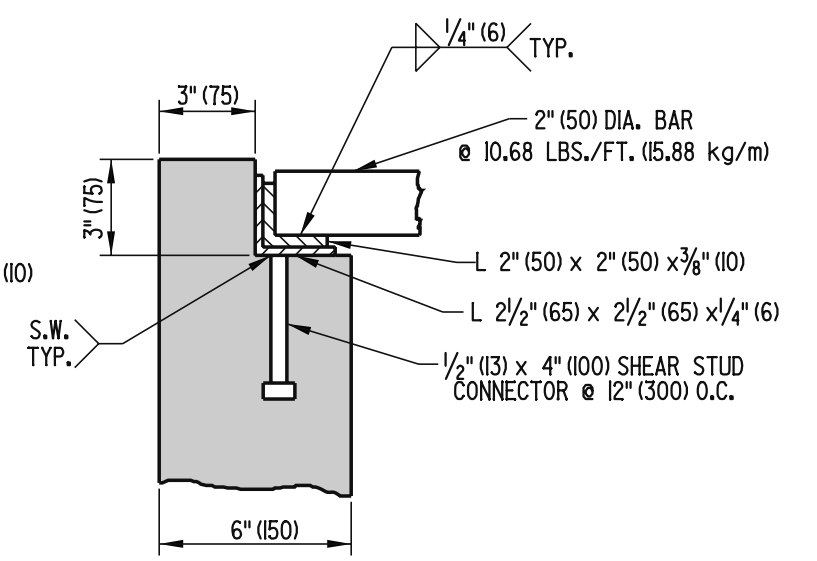


GRATE DETAIL

2" (50) DIA. BAR @ 10.68 LBS./FT. (15.88 kg/m)



FRAME & GRATE ASSEMBLY DETAIL