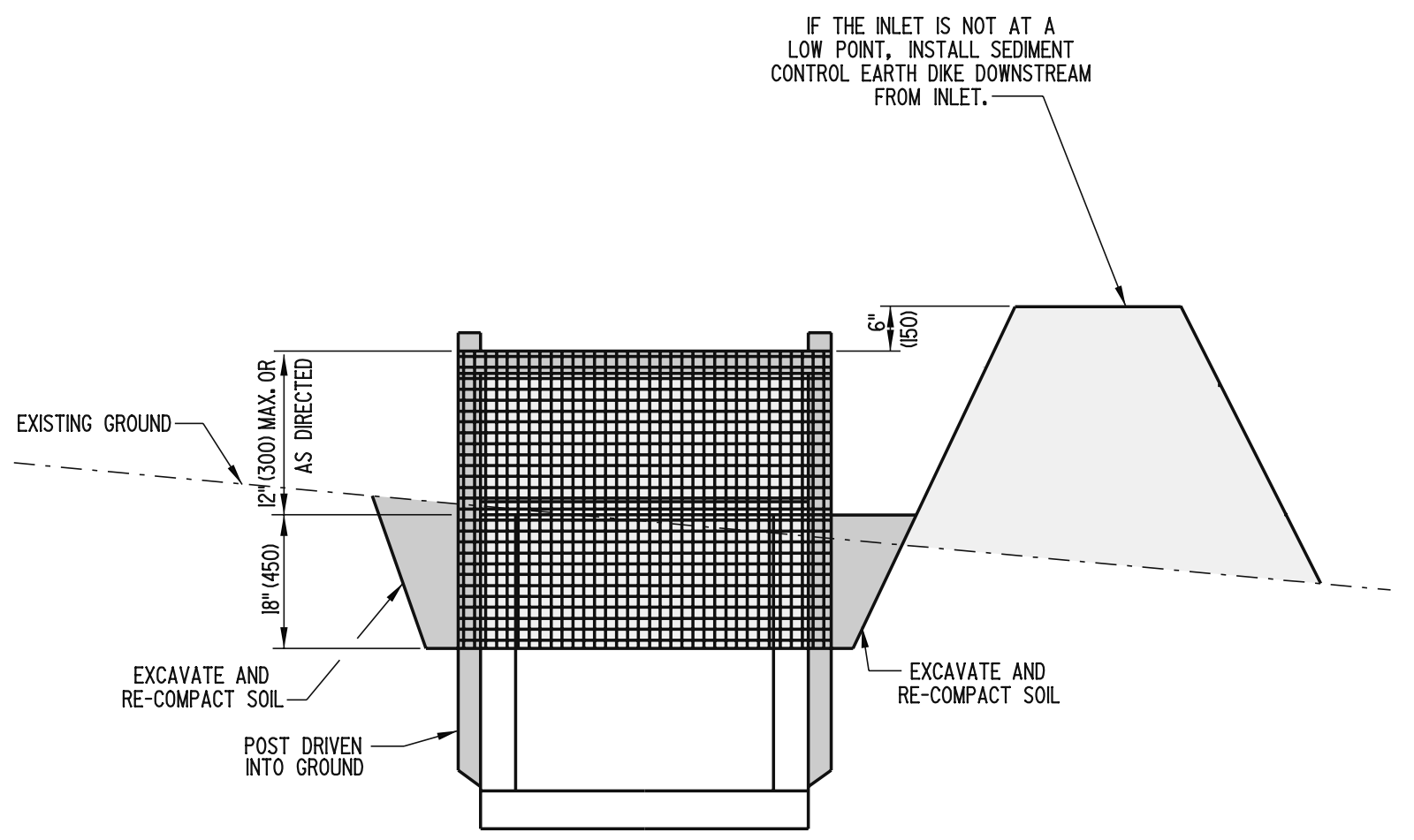


ISOMETRIC VIEW



SECTION A-A



DELAWARE
DEPARTMENT OF TRANSPORTATION

DRAINAGE INLET SEDIMENT CONTROL

STANDARD NO. **E-3 (2005)** SHT. **1** OF **1**

APPROVED *Candace Wick* **12/5/05**
CHIEF ENGINEER DATE

RECOMMENDED *James M. O'Brien* **11/29/05**
DESIGN ENGINEER DATE