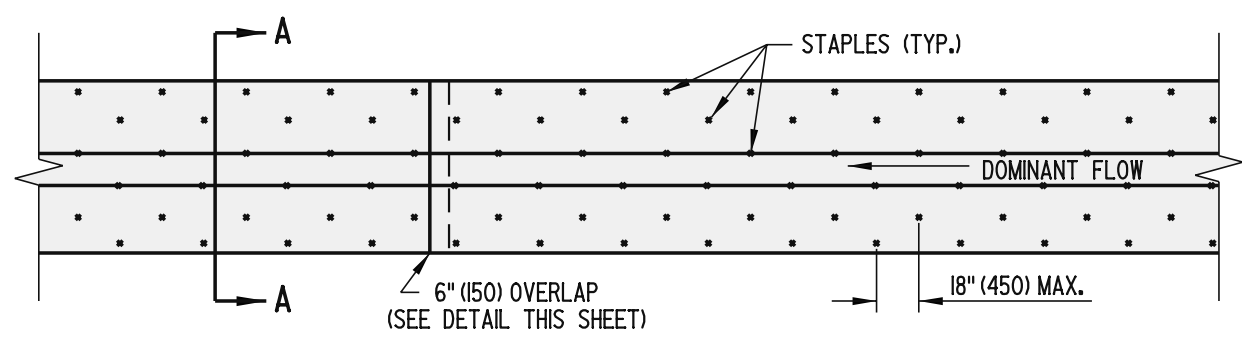
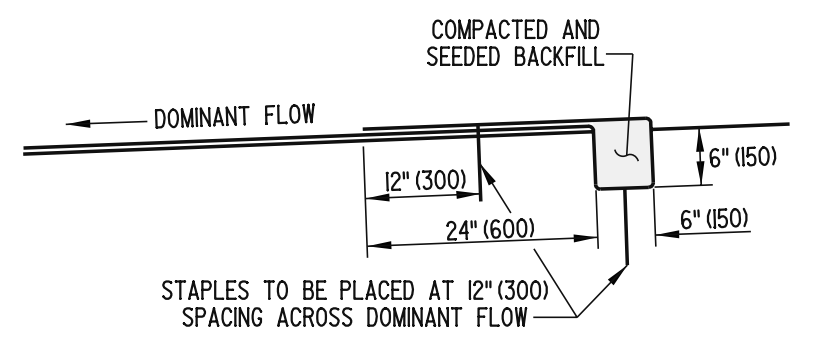
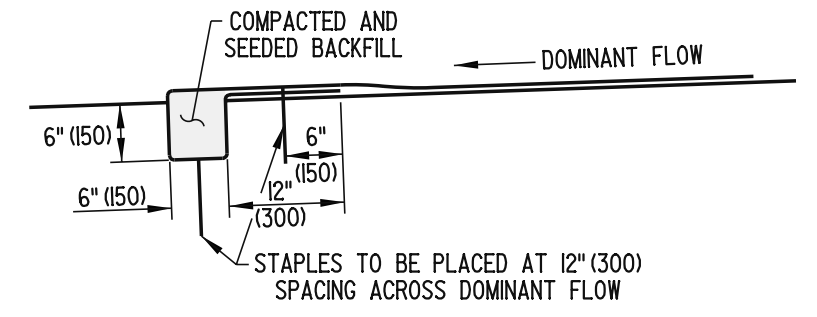
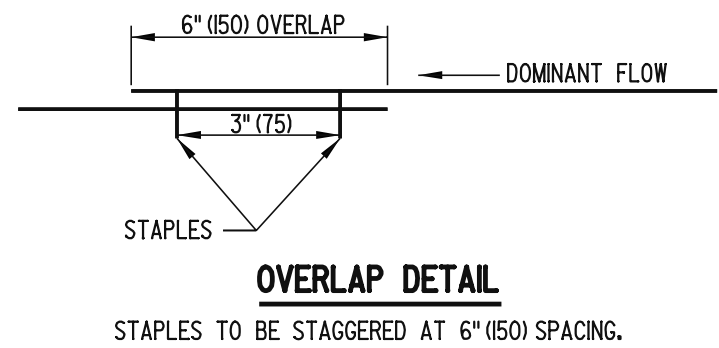
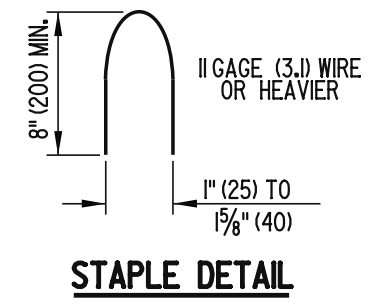
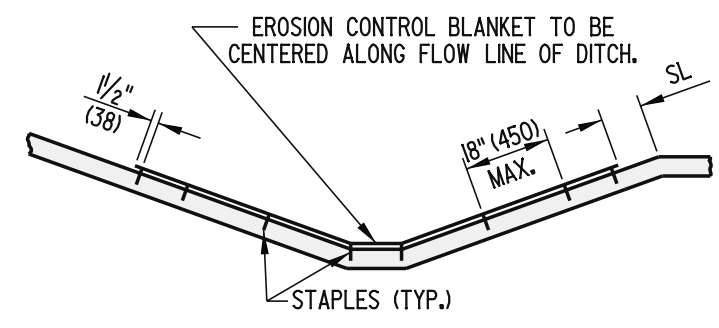


**STABILIZATION OF EMBANKMENTS**

- NOTES:**
1. STAPLES TO BE STAGGERED AT 18" (450) SPACING.
  2. TOPSOIL UNDER EROSION CONTROL BLANKET IS TO BE TRACKED AND SEEDED.
  3. WHEN OFFSITE RUNOFF OCCURS, ADDITIONAL MEASURES AS DIRECTED BY THE ENGINEER SHALL BE USED TO ENSURE STABILITY OF EMBANKMENT.



- NOTES:**
1. ADDITIONAL STAPLES NOT SHOWN ARE REQUIRED AT OVERLAPS. SEE OVERLAP DETAIL FOR STAPLE PLACEMENT.
  2. STAPLES ARE TO BE STAGGERED.
  3. TOPSOIL UNDER EROSION CONTROL BLANKET IS TO BE TRACKED AND SEEDED.



- STAPLES ALONG LONGITUDINAL EDGES SHALL BE SPACED AS FOLLOWS:
- 18" (450) WHEN SL ≤ 20' (6000)
  - 9" (225) WHEN SL > 20' (6000)