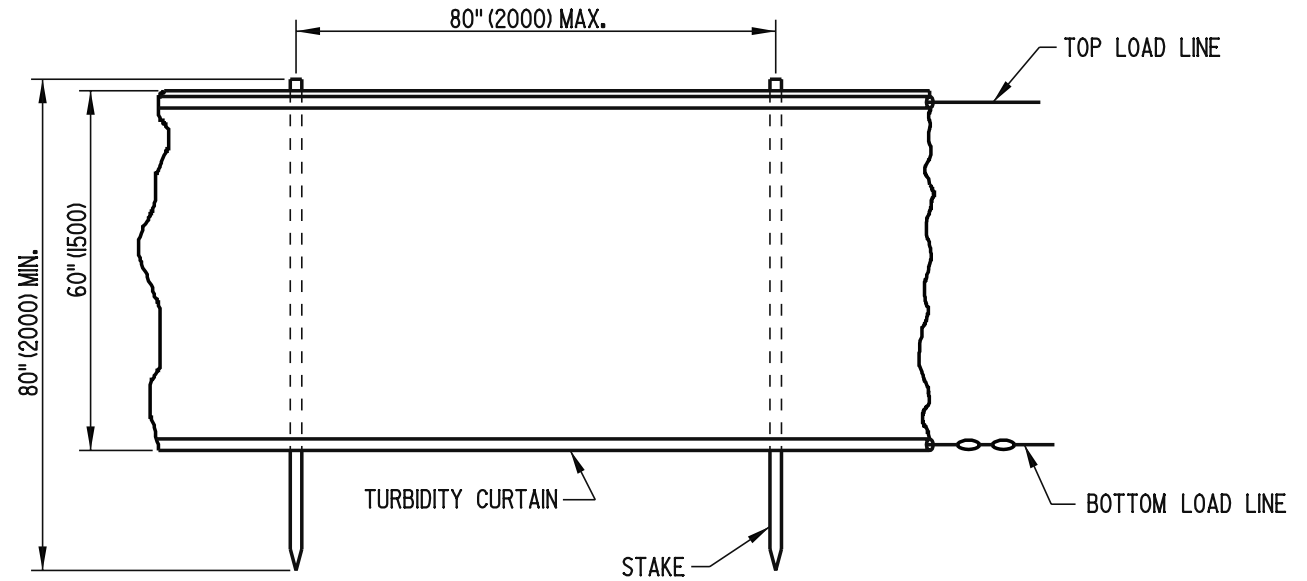
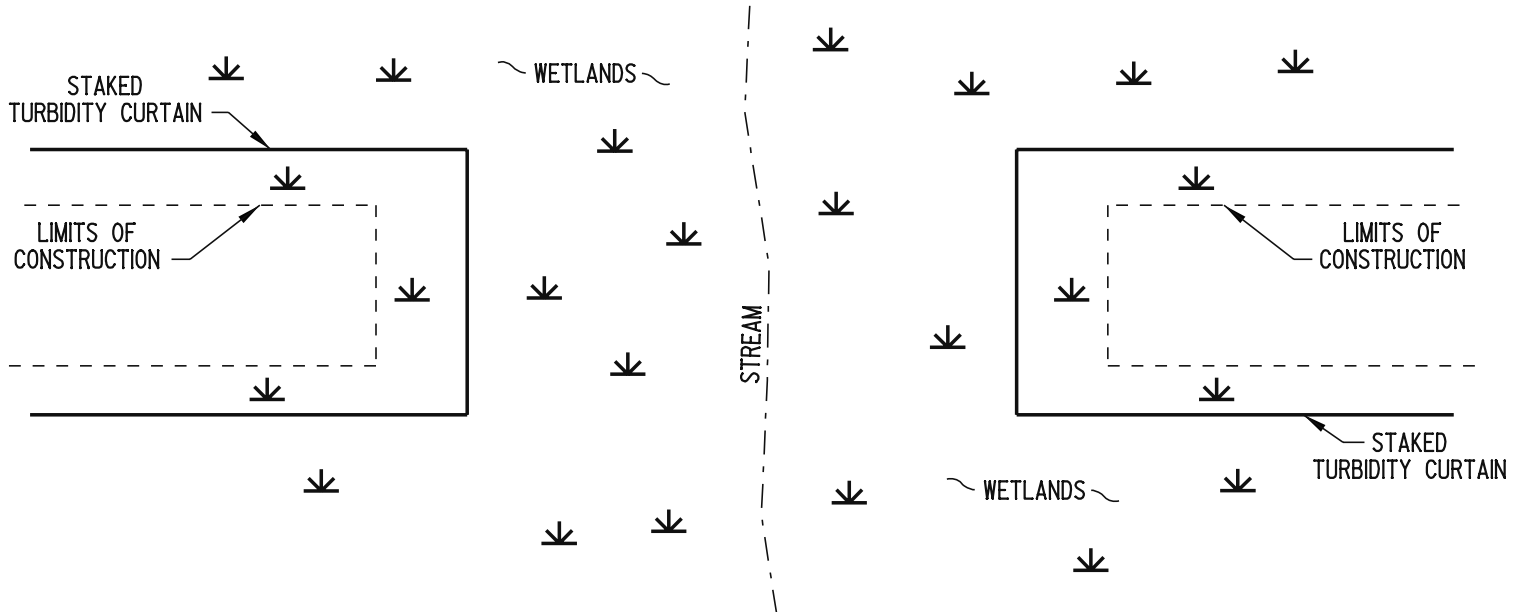


SECTION



ELEVATION



PLAN VIEW
SHALLOW WATER/MARSH APPLICATION

STAKED TURBIDITY CURTAIN