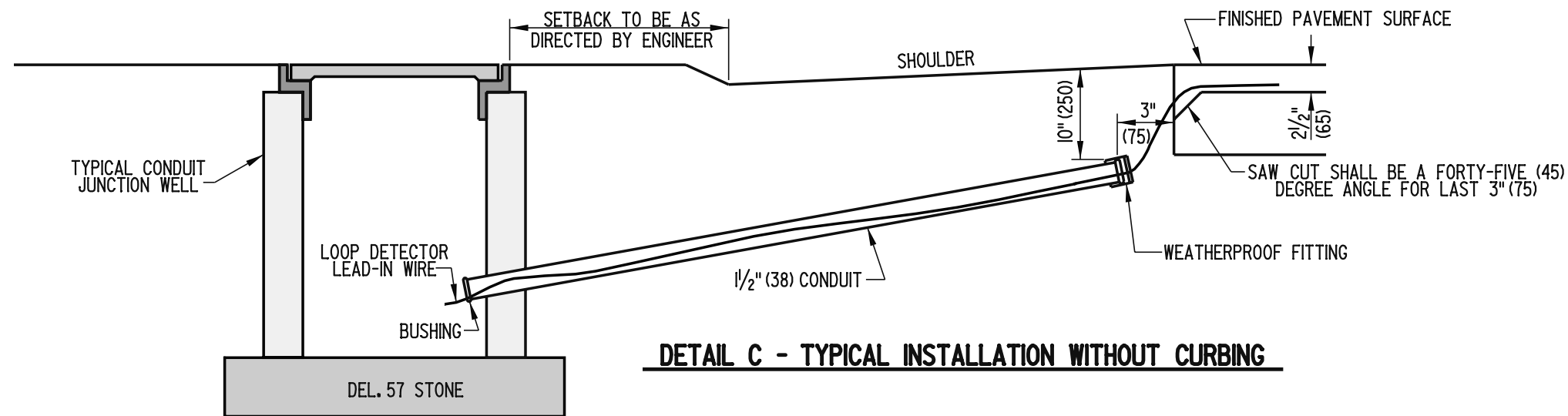
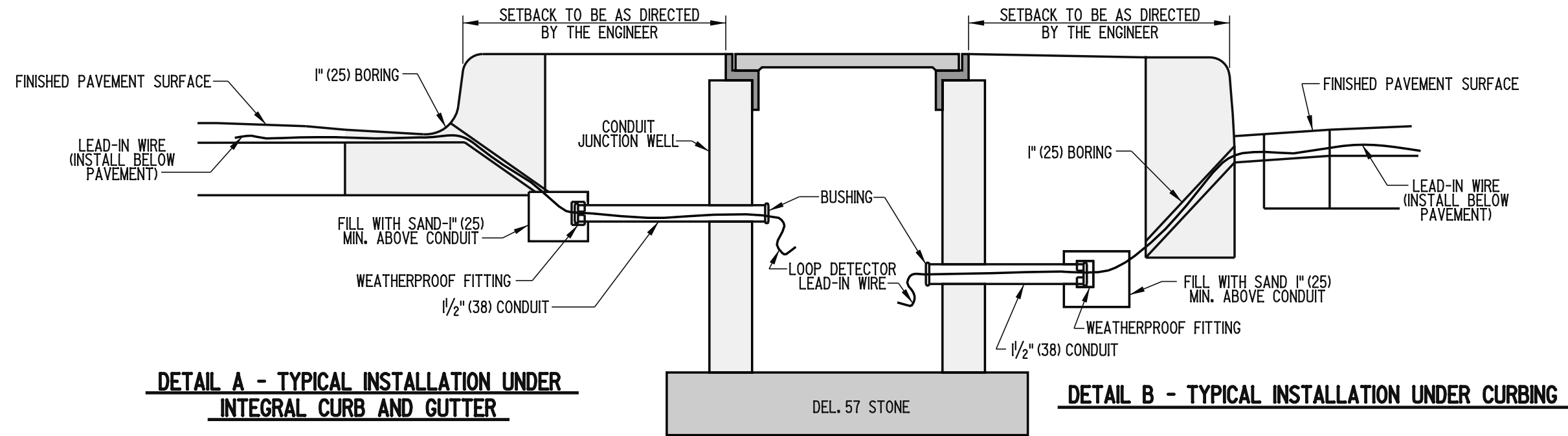


- NOTES:**
1. THE CONTRACTOR SHALL BE RESPONSIBLE FOR PROTECTING THE CONDUIT AGAINST ANY POSSIBLE DAMAGE IN PAVING OPERATIONS.
  2. THE WEATHERPROOF FITTING SHALL CONSIST OF A GALVANIZED 1/2" (38) COUPLING CONTAINING A STEEL THREADED REDUCING BUSHING (1/2" (38) TO 3/4" (19)) AND A 3/4" (19) WATERTIGHT CONNECTOR FOR SERVICE ENTRANCE CABLE.
  3. THE LEAD-IN WIRE SHALL BE RUN THROUGH THE RUBBER OF THE WEATHERPROOF FITTING.



DELAWARE  
DEPARTMENT OF TRANSPORTATION

LOOP DETECTOR TO CONDUIT JUNCTION WELL CONNECTION

STANDARD NO. T-8 (2005) SHT. 1 OF 1

APPROVED *Candace Wick* 12/15/05  
CHIEF ENGINEER DATE  
 RECOMMENDED *James M. O'Brien* 11/29/05  
DESIGN ENGINEER DATE