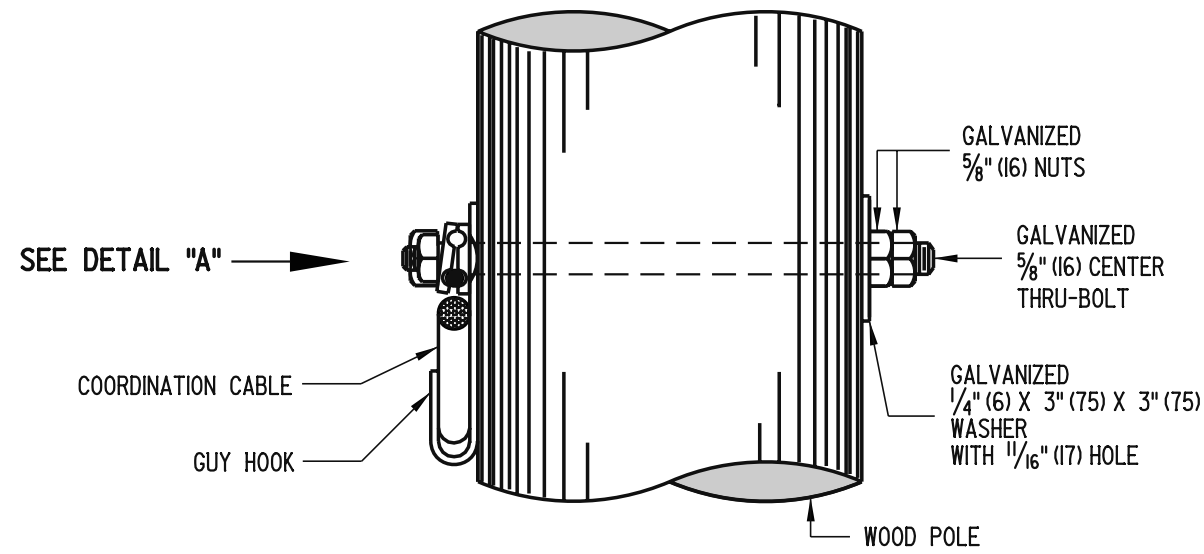
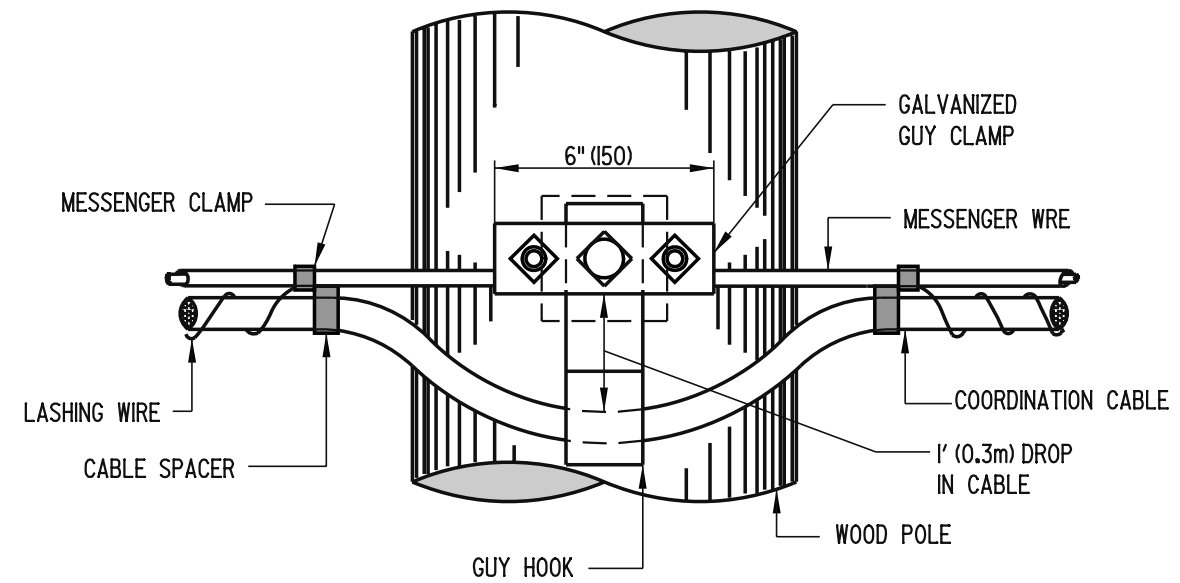


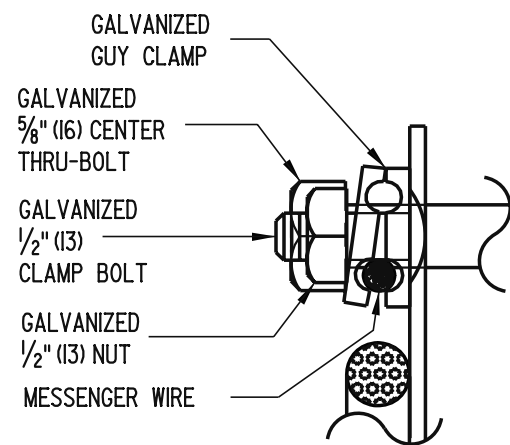
**INTERMEDIATE**



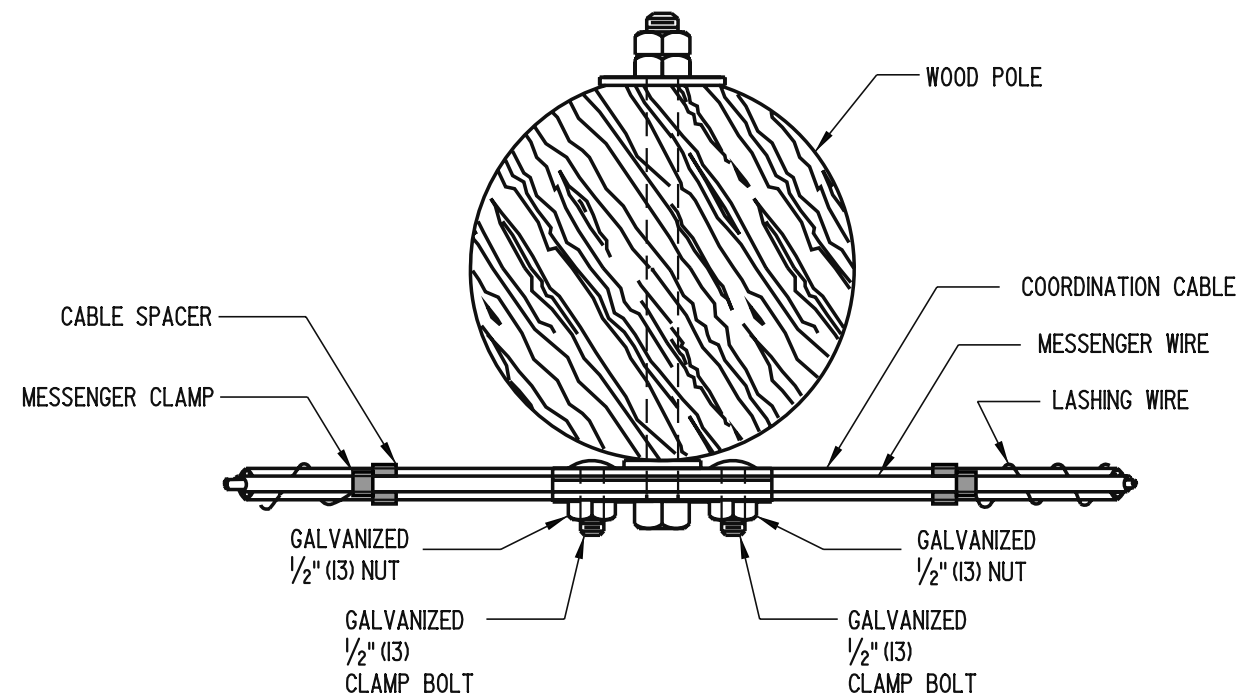
**SIDE VIEW**



**FRONT VIEW**



**DETAIL "A"**



**TOP VIEW**



**DELAWARE  
DEPARTMENT OF TRANSPORTATION**

**INTERMEDIATE MESSENGER WIRE ATTACHMENT ON WOOD POLES**

**STANDARD NO. T-11 (2005)**

**SHT. 1 OF 2**

**APPROVED** *Carolann Wick* **12/5/05**  
CHIEF ENGINEER DATE

**RECOMMENDED** *James M. O'Brien* **11/29/05**  
DESIGN ENGINEER DATE