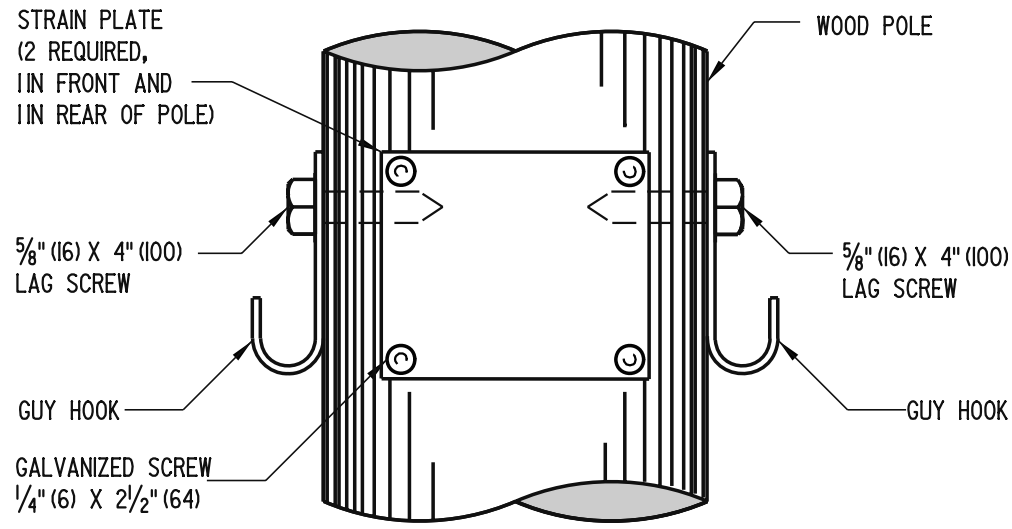
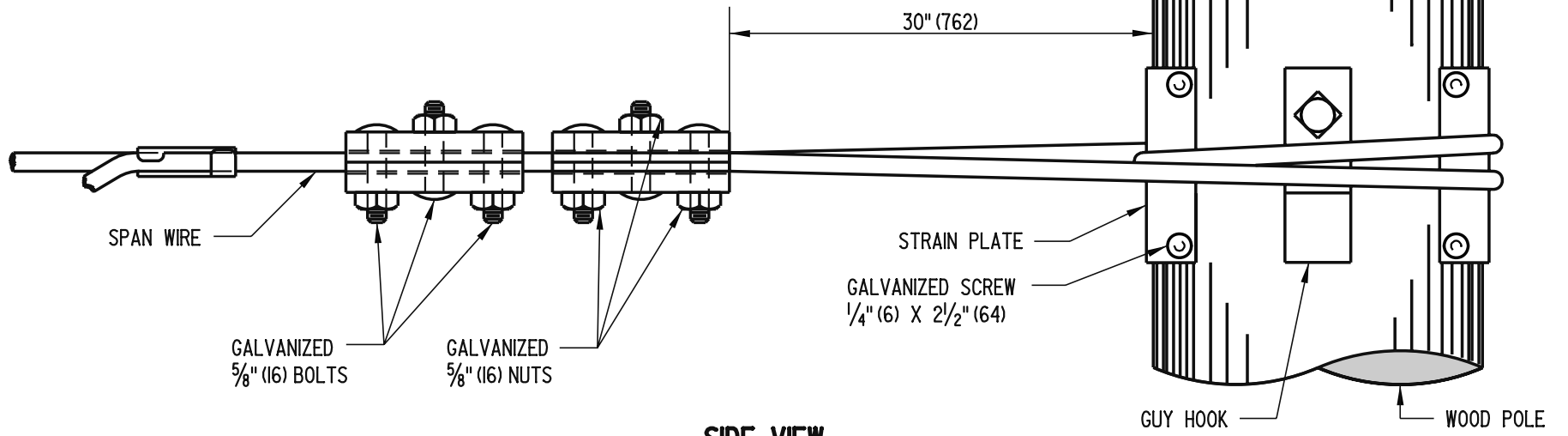


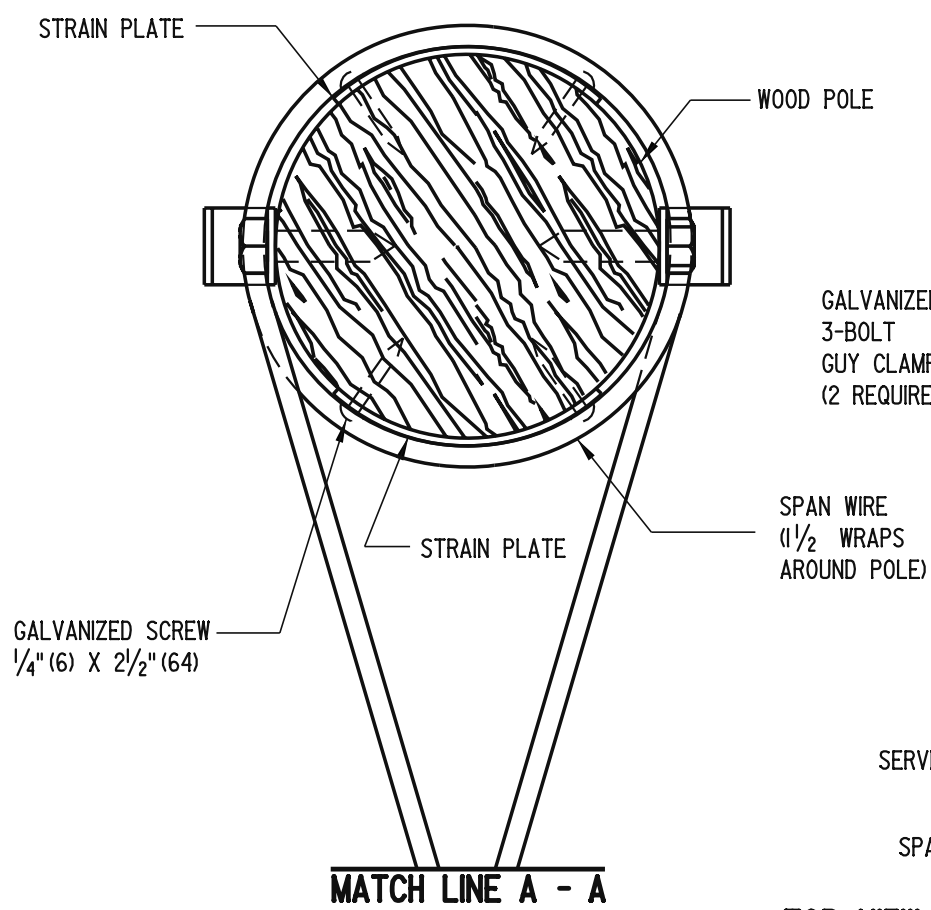
SCALE : N.T.S.



FRONT VIEW
(SPAN WIRE NOT SHOWN)

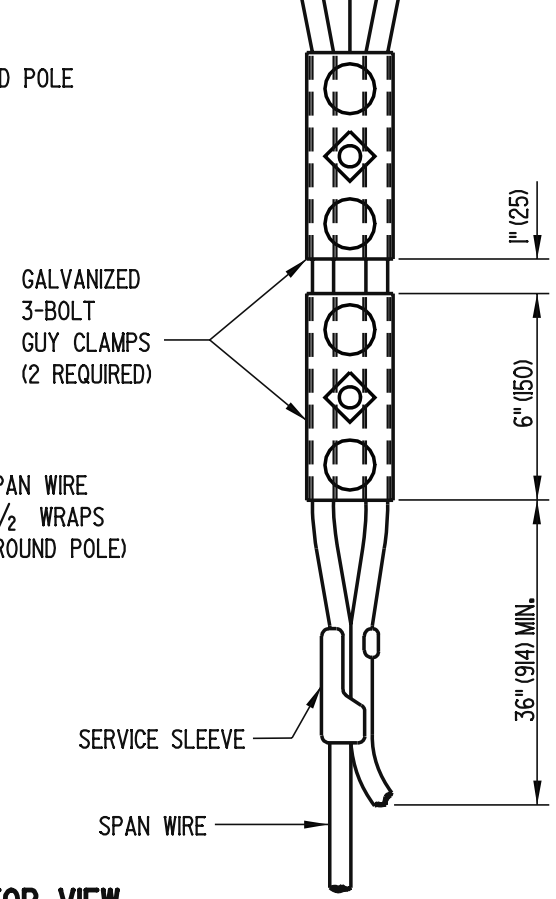


SIDE VIEW



TOP VIEW

MATCH LINE A - A



NOTE: SPAN WIRE ATTACHMENT BETWEEN METAL POLES IS THE SAME AS SHOWN FOR WOOD POLES EXCEPT THAT THE STRAIN PLATES AND GUY HOOKS ARE NOT USED. FOR DETAIL SEE T-14 SHEET 2 - "DEAD END MESSENGER WIRE ATTACHMENT, METAL POLES".