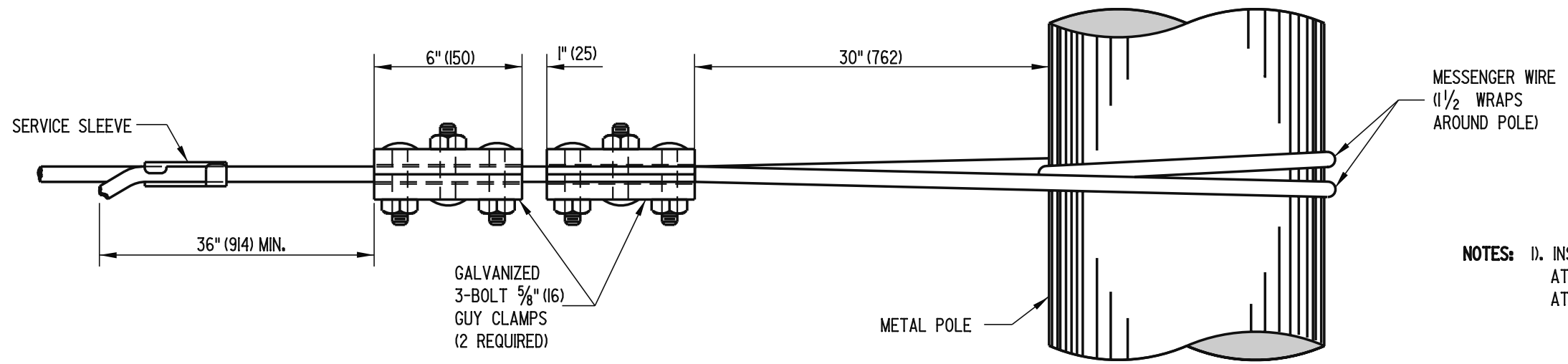


WOOD POLES



METAL POLES

NOTES: 1). INSTALLATION METHOD SHOWN FOR DEAD END MESSENGER WIRE ATTACHMENT TO METAL POLES SHALL BE USED FOR SPAN WIRE ATTACHMENT BETWEEN METAL POLES.