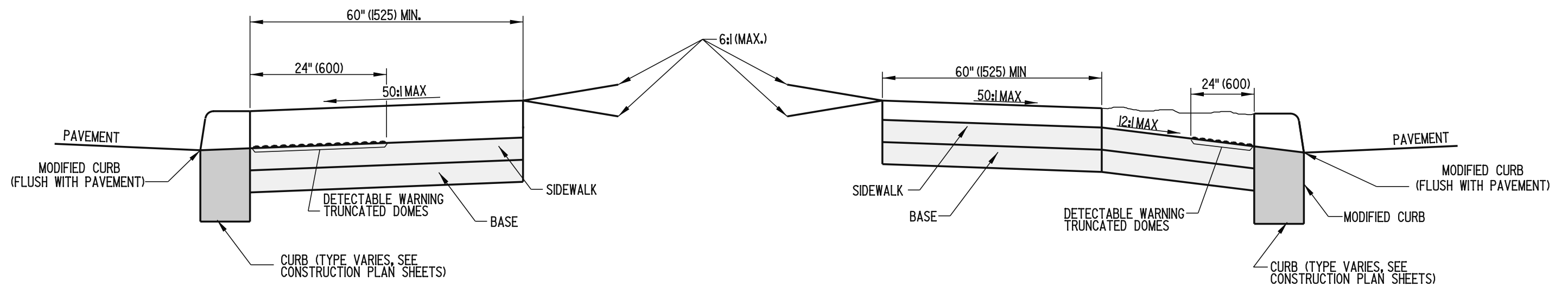
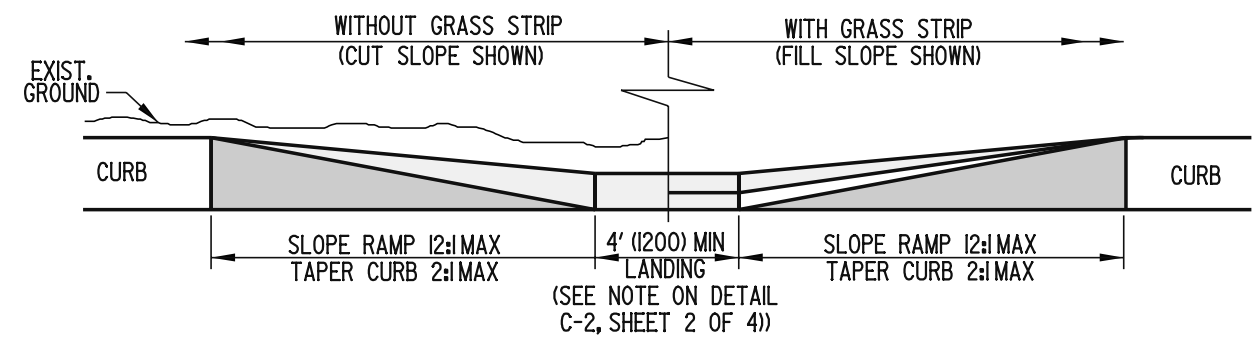


ELEVATION D-D



SECTION E-E

SECTION F-F



ELEVATION G-G