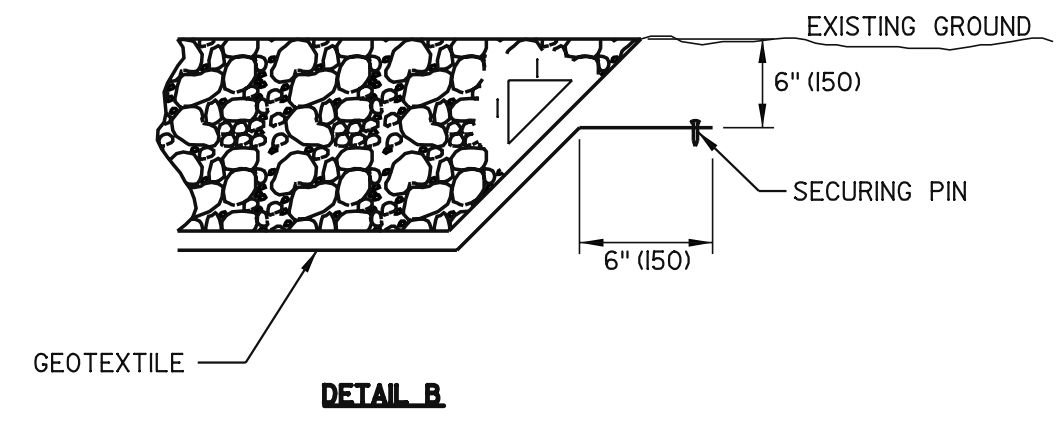
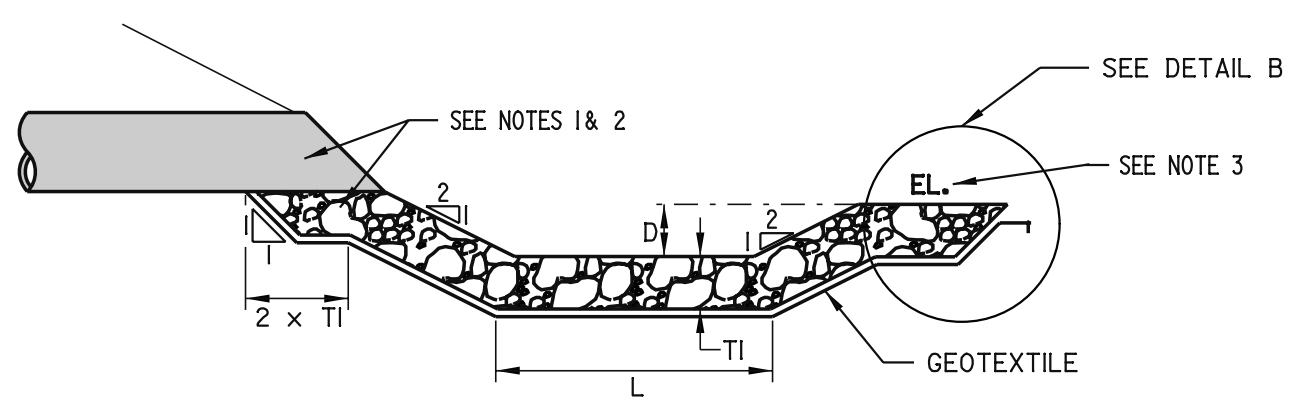


PLAN VIEW



DETAIL B



SECTION A-A

- NOTES:
1. RIPRAP IS TO BE PLACED PRIOR TO PLACING PIPE.
 2. PLACE DELAWARE NO. 3 STONE UNDER PIPE.
 3. ELEVATION (EL.) SHOULD NOT BE HIGHER THAN PIPE INVERT.
 4. REFER TO THE PIPE ENERGY DISSIPATOR SCHEDULE ON THE CONSTRUCTION PLANS FOR THE VALUE OF DIMENSION VARIABLES.



DELAWARE
DEPARTMENT OF TRANSPORTATION

RIPRAP ENERGY DISSIPATOR DETAIL

STANDARD NO. E-26 (2006)

SHT. 1 OF 1

APPROVED *[Signature]* 10/10/06
CHIEF ENGINEER DATE

RECOMMENDED *[Signature]* 10/19/06
DESIGN ENGINEER DATE