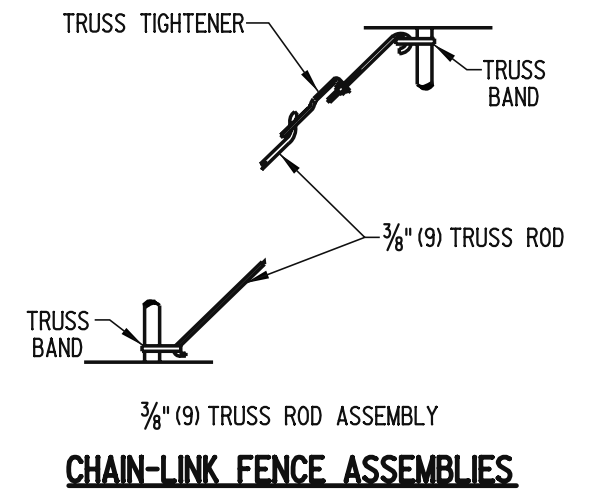
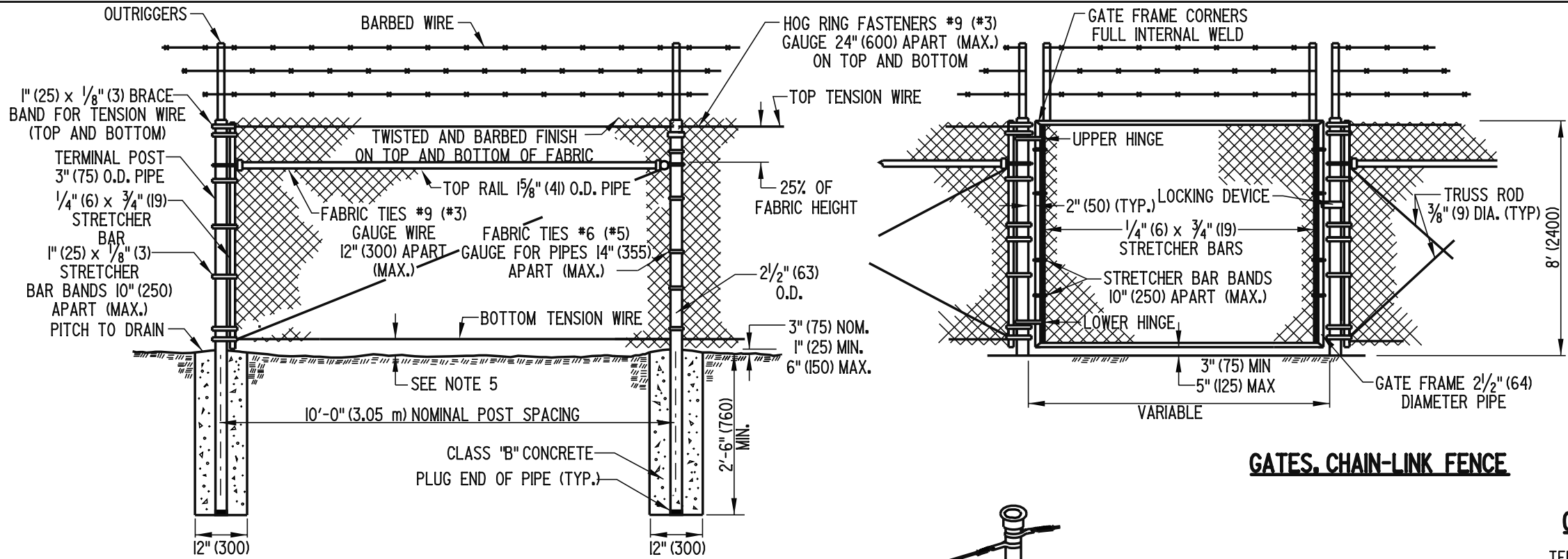


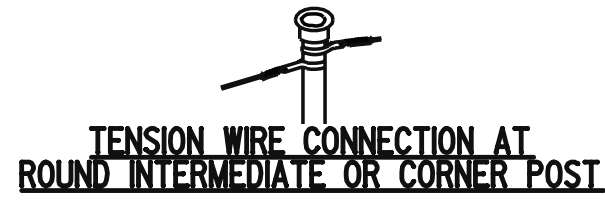
SCALE : N.T.S.



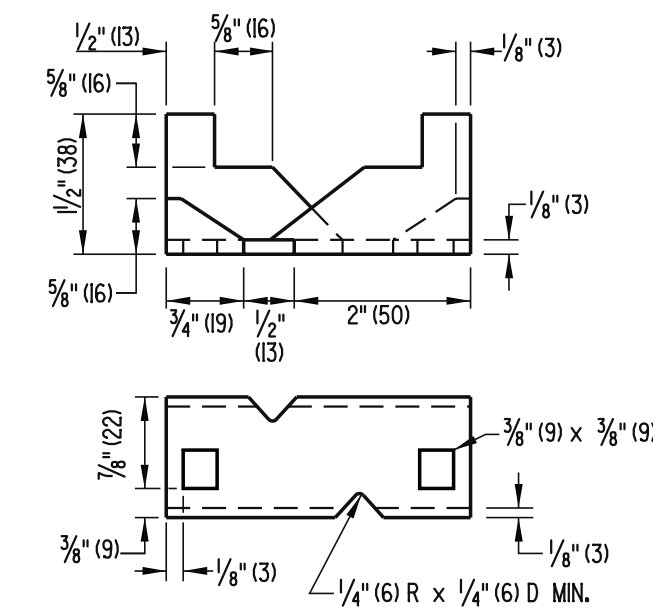
**CHAIN-LINK FENCE**

**GATES, CHAIN-LINK FENCE**

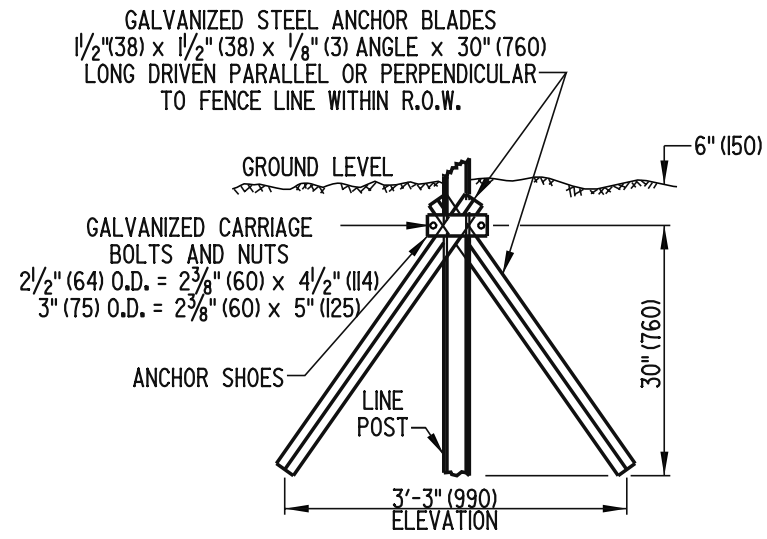
**CHAIN-LINK FENCE ASSEMBLIES**



**TENSION WIRE CONNECTION AT ROUND INTERMEDIATE OR CORNER POST**



**ANCHOR SHOE**

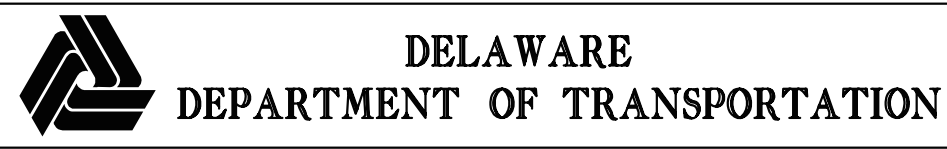


**DRIVE ANCHOR SHOE ASSEMBLY**

(SEE NOTE 4)

**GENERAL NOTES**

- | 1). POSTS               | TERMINAL, CORNER AND GATE POSTS              | LINE POSTS                                   | TOP OR BRACE RAIL                              |
|-------------------------|--|--|--|
|                         | 3" (75) O.D. PIPE                            | 2 1/2" (64) O.D. PIPE                        | 1 5/8" (41) O.D. PIPE                          |
| AASHTO TYPE             | 1 OR II                                      | 1 OR II                                      | 1 OR II  |
| AASHTO GRADE            | 1 OR 2                                       | 1 OR 2                                       | 1 OR 2   |
| MINIMUM LENGTH OF POST: | 10'-8" (3250)                                | 10'-8" (3250)                                | N/A  |
| ACTUAL OUTSIDE DIAMETER | 2 7/8" (73)                                  | 2 3/8" (60)                                  | 1.660" (42)                                    |
| WALL THICKNESS          | GRADE 1 = .203" (5.2)<br>GRADE 2 = .160" (4) | GRADE 1 = .154" (3.9)<br>GRADE 2 = .120" (3) | GRADE 1 = .140" (3.5)<br>GRADE 2 = .111" (2.8) |
- THE DEPTH OF CONCRETE FOOTERS IN SOLID ROCK MAY BE REDUCED TO 12" (300) BELOW THE TOP OF ROCK AND THE DIAMETER OF THE HOLE IN ROCK MAY BE REDUCED TO 6" (150).
  - BRACE BANDS AND STRETCHER BAR BANDS SHALL BE FURNISHED WITH 5/16" (8) DIA. CARRIAGE BOLTS AND ELASTIC STOP NUTS.
  - DRIVE ANCHOR SHOE ASSEMBLY ONLY TO BE USED IN WET AREAS AND WITH PRIOR APPROVAL OF THE ENGINEER.
  - THE BOTTOM OF THE FENCE SHALL BE 2" (50) MAX ABOVE HARD GROUND OR PAVEMENT. WHERE THERE IS SOFT GROUND, THE BOTTOM OF THE FENCE SHALL EXTEND INTO THE GROUND IN ORDER TO BE FIRM DUE TO SHIFTING SOIL OR SAND.
  - NUTS AND BOLTS SHALL BE TACK WELDED OR BURRED TO PREVENT REMOVAL.
  - IF THERE ARE ANY OPENINGS IN THE FENCE LARGER THAN 96 SQ. IN. (620 sq. cm) DUE TO UTILITIES OR GRADED TERRAIN, THE OPENINGS SHALL BE SECURED WITH A METAL GRILL THAT IS LOCKED OR PERMANENTLY WELDED.
  - VEGETATION AND PERMANENT STRUCTURES (SUCH AS BUILDINGS, LIGHT POLES, AND UTILITY POLES) SHALL BE AT LEAST 14' (4.2 m) FROM THE FENCE. ANY EXCEPTIONS SHALL REQUIRE THE CONSTRUCTION OF TOP GUARDS.



**DELAWARE DEPARTMENT OF TRANSPORTATION**

<b>CHAIN LINK FENCE DETAILS</b>			
STANDARD NO.	M-7 (2006)	SHT.	1 OF 1

APPROVED *[Signature]* 10/10/06  
 RECOMMENDED *[Signature]* 10/19/06