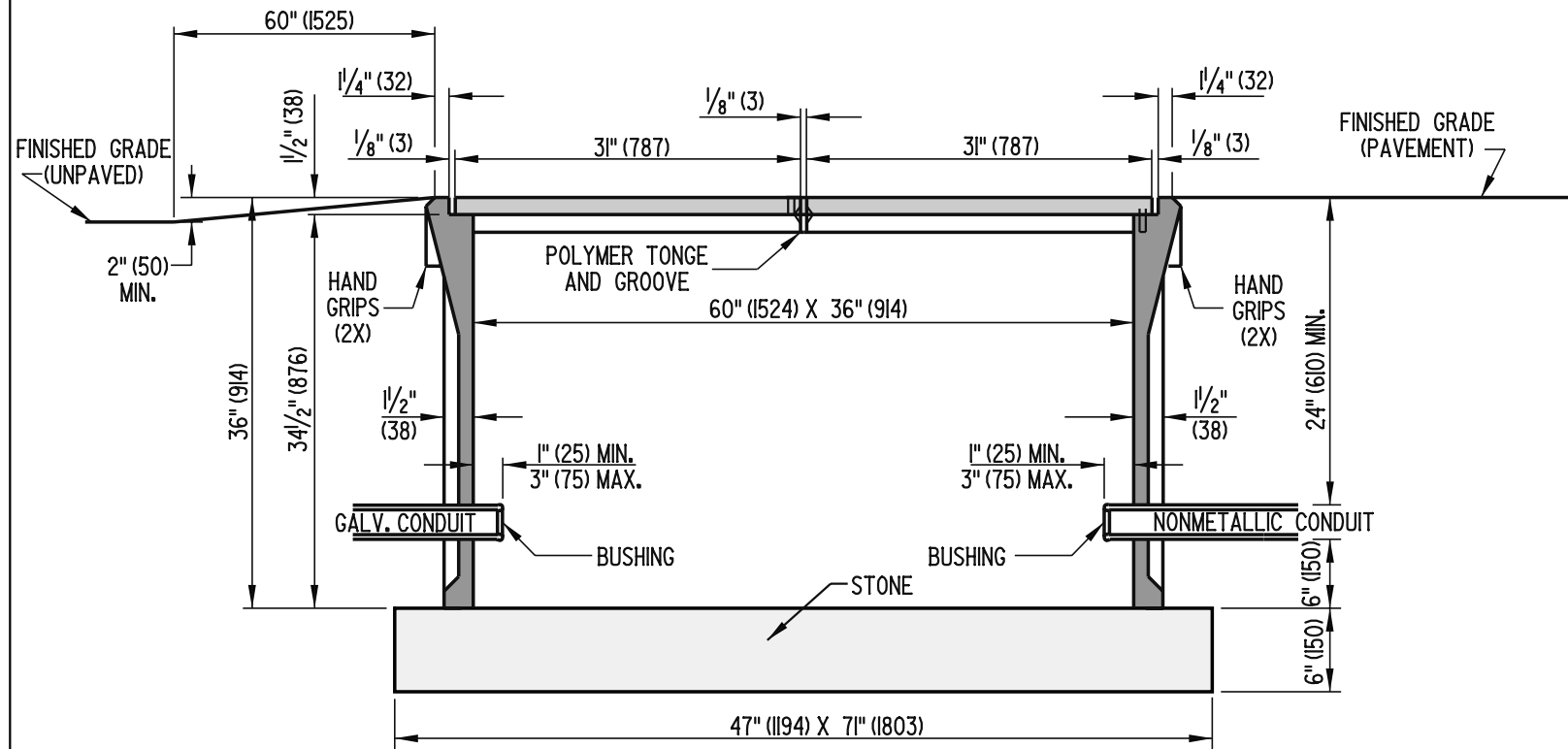


**NOTES:**

- 1). TYPE 7 CONDUIT JUNCTION WELL SHALL BE PRECAST POLYMER CONCRETE.
- 2). ALL CONDUIT JUNCTION WELLS CONSTRUCTED WITHIN PAVEMENT, SIDEWALKS, ETC. WILL BE CONSTRUCTED FLUSH WITH THE SURFACE OF THE SAME. INSTALLATION IN UNPAVED AREAS WILL BE CONSTRUCTED ABOVE GRADE AND GRADED TO DRAIN AWAY FROM THE CONDUIT JUNCTION WELL.
- 3). POLYMER CONCRETE COVERS SHALL BE THE HEAVY DUTY TYPE WITH A DESIGN LOAD OF 15,000 LBS (6800 kg) OVER A 10" (255) SQUARE.

**PLAN VIEW**



**SECTION A-A**



**DELAWARE  
DEPARTMENT OF TRANSPORTATION**

**CONDUIT JUNCTION WELL, TYPE 7**

STANDARD NO. **T-13 (2006)** SHT. **2** OF **3**

APPROVED

*Frank Taylor*  
CHIEF ENGINEER

10/10/06  
DATE

RECOMMENDED

*Dennis J. ...*  
DESIGN ENGINEER

10/19/06  
DATE