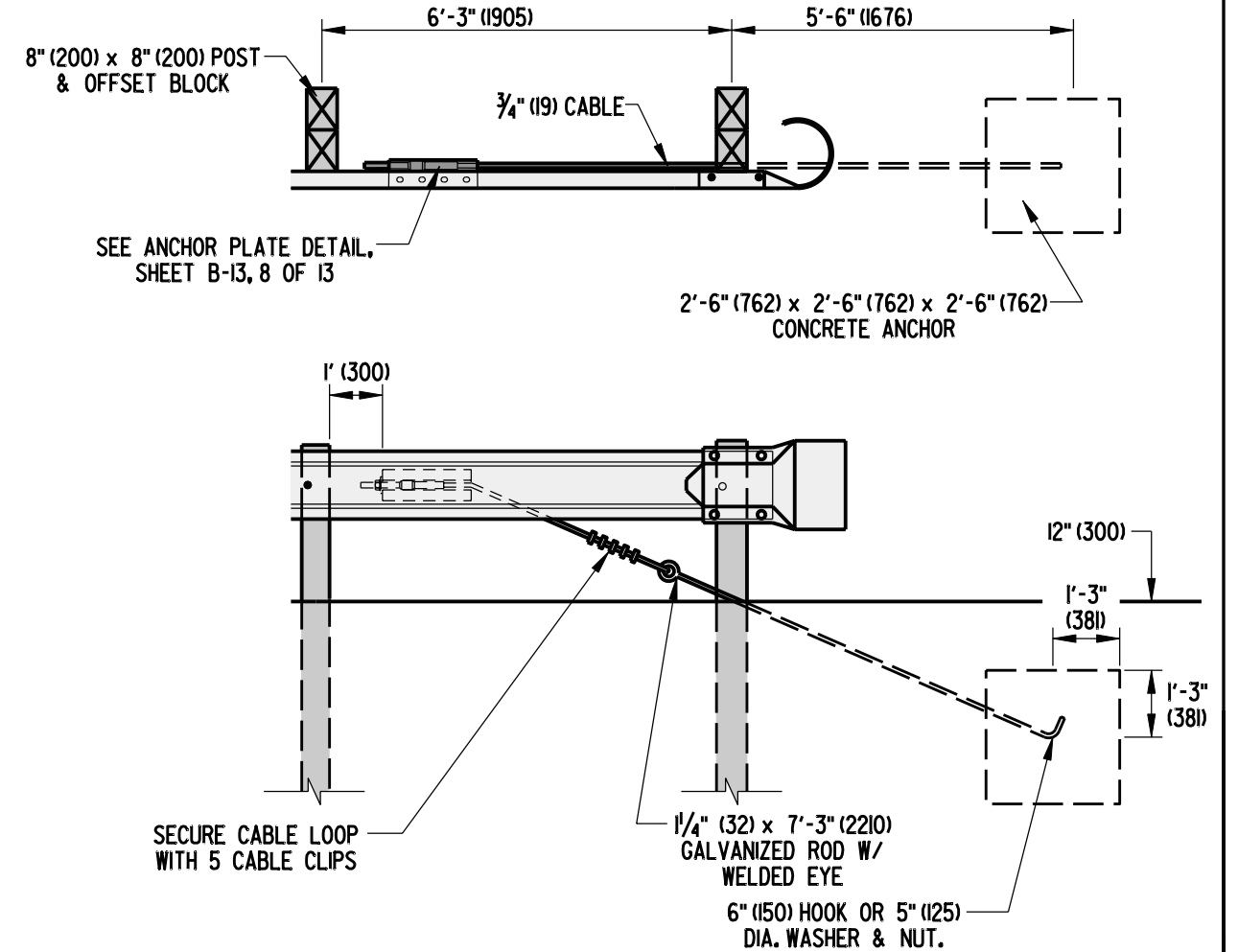
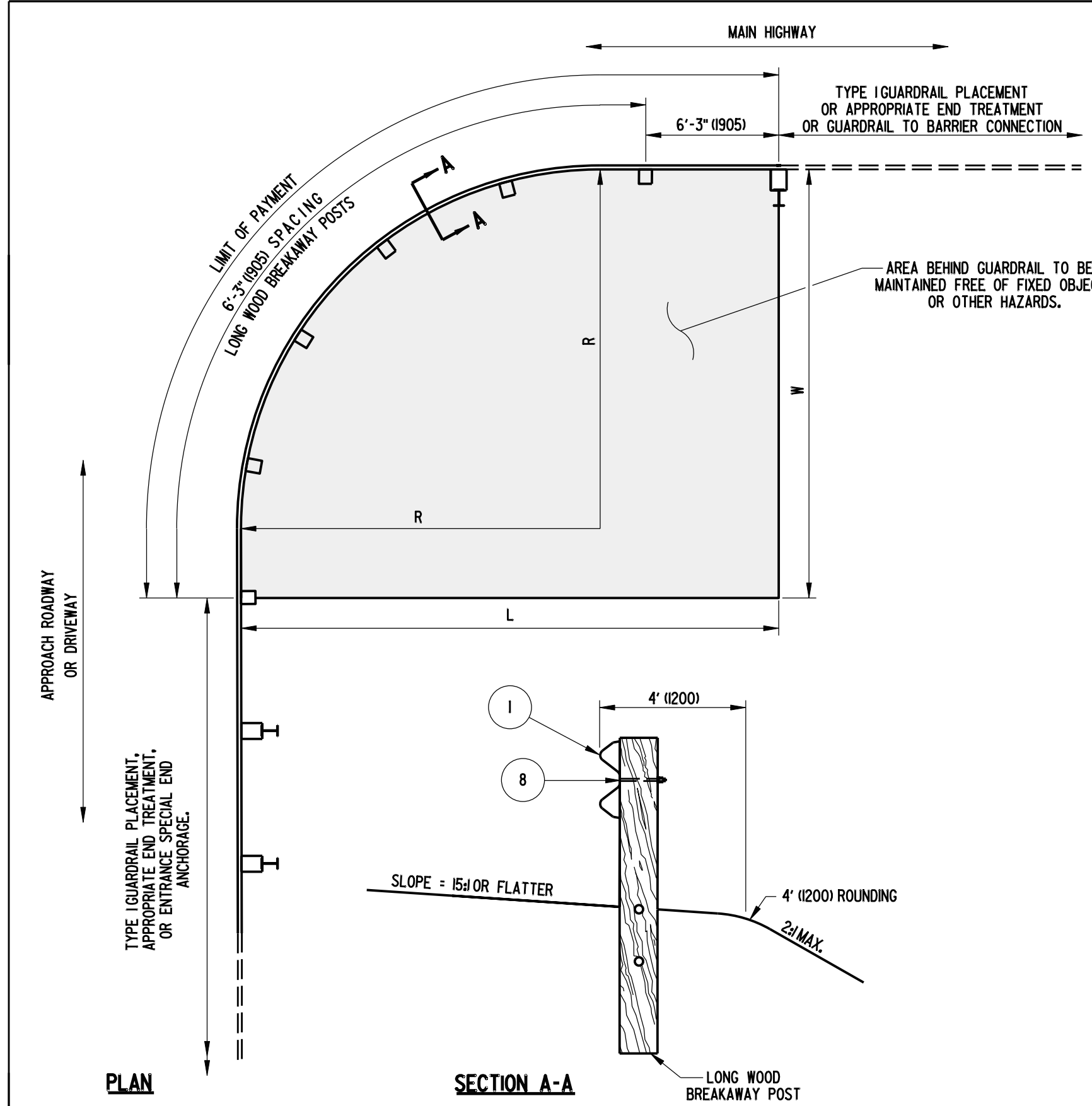


SCALE : N.T.S.

RADIUS	MIN. REQUIRED AREA FREE OF FIXED OBJECTS
	L x W
8'-6" (2600)	25' x 15' (7600 x 4500)
17'-0" (5200)	30' x 15' (9144 x 4500)
25'-6" (7800)	40' x 20' (1200 x 6000)
35'-0" (10700)	50' x 20' (15200 x 6000)

NOTES:

- 1). NO WASHERS ARE USED ON THE RAIL SIDE OF THE LONG WOOD BREAKAWAY POSTS.
- 2). THE CURVED GUARDRAIL SECTION SHALL BE SHOP BENT.
- 3). PLACE GUARDRAIL REFLECTOR EVERY FIFTH POST.
- 4). IF CURB IS USED IN CONJUNCTION WITH CURVED GUARDRAIL SECTION, THE CURB CANNOT BE HIGHER THAN 2" (50).
- 5). ON THE 8'6" (2600) RADIUS SYSTEM ONLY, THE RAIL IS NOT TO BE BOLTED TO THE CENTER POST.



ENTRANCE SPECIAL END ANCHORAGE

DELAWARE
DEPARTMENT OF TRANSPORTATION

CURVED GUARDRAIL SECTION

STANDARD NO. **B-4 (2007)** SHT. **1** OF **1**

APPROVED *[Signature]* **10/24/07**
CHIEF ENGINEER DATE

RECOMMENDED *[Signature]* **10/23/07**
DESIGN ENGINEER DATE