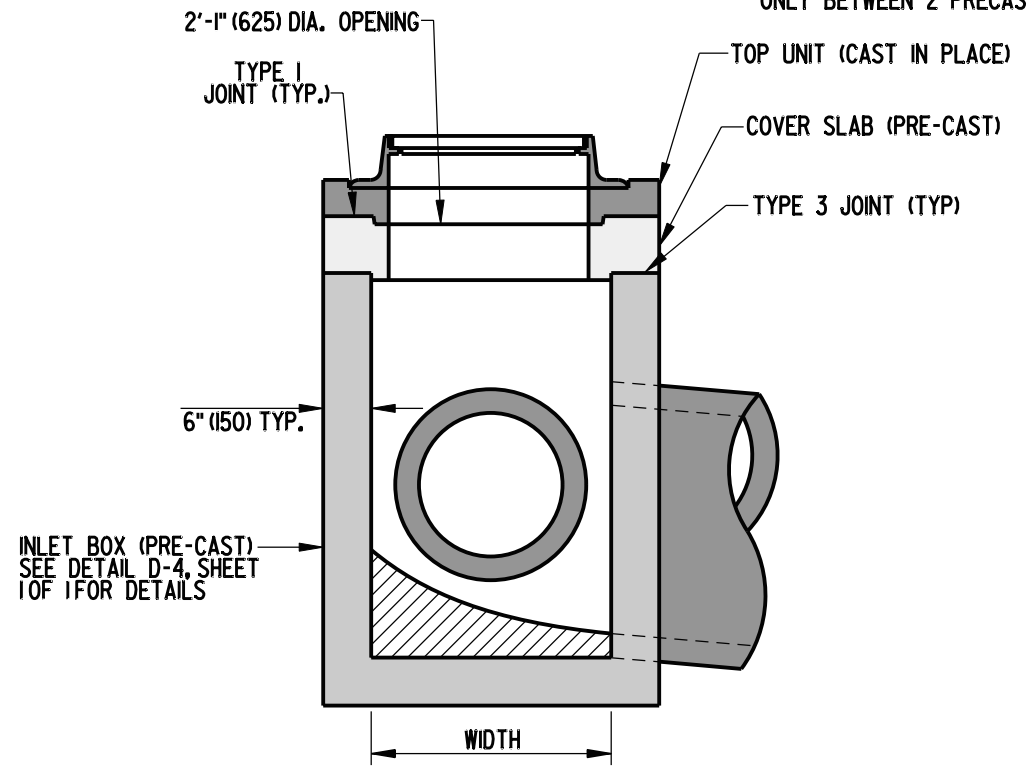
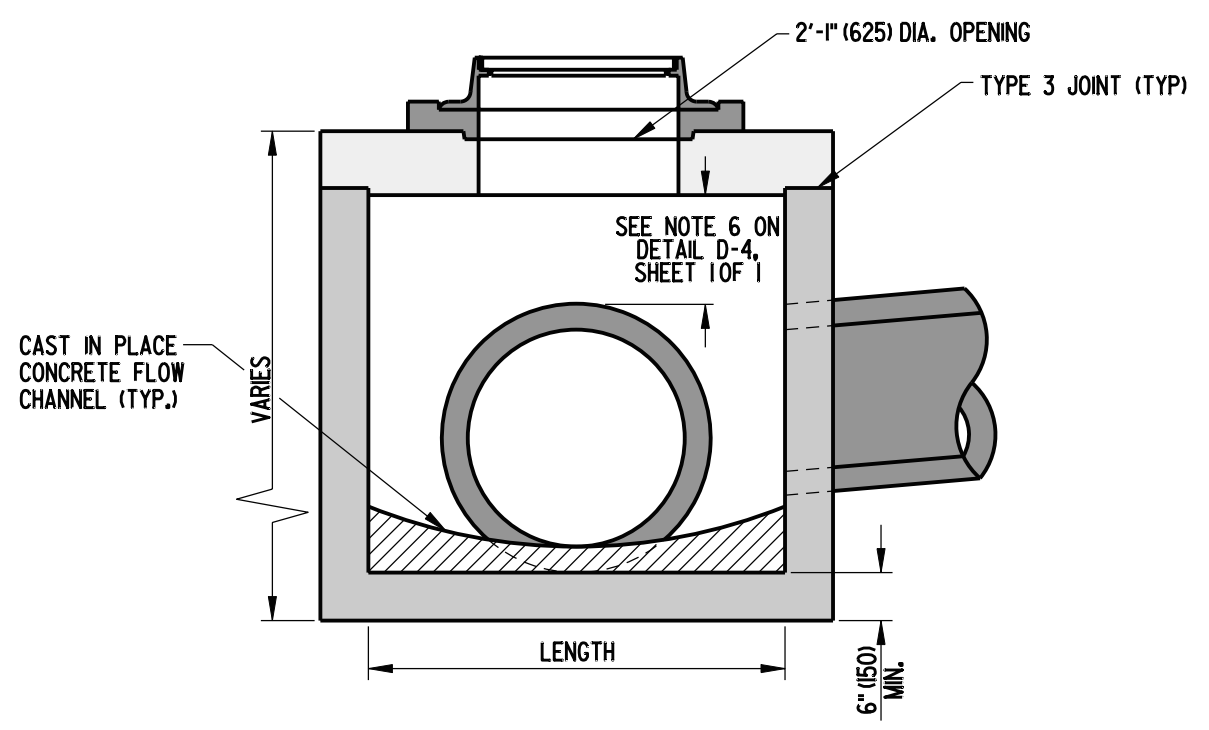


• DIMENSIONS MAY VARY
 ** JOINT SEALANT AS PER SPECIFICATIONS ONLY BETWEEN 2 PRECAST UNITS



• - SEE OPTIONAL PIPE OPENING DETAIL ON STANDARD D-4, SHEET 1 OF 1.

BOX MANHOLE ASSEMBLY

<p>DELAWARE DEPARTMENT OF TRANSPORTATION</p>	MANHOLE DETAILS			<p>APPROVED <i>[Signature]</i> 10/24/07 CHIEF ENGINEER DATE</p>
	STANDARD NO. D-6 (2007)	SHT. 1	OF 4	<p>RECOMMENDED <i>[Signature]</i> 10/23/07 DESIGN ENGINEER DATE</p>