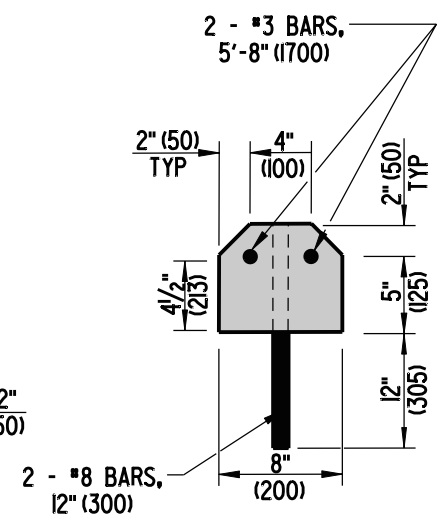


ELEVATION



SECTION A-A



**DELAWARE
DEPARTMENT OF TRANSPORTATION**

P.C.C. PARKING BUMPER			
STANDARD NO.	M-8 (2007)	SHT. 1	OF 1

APPROVED	<i>[Signature]</i> CHIEF ENGINEER	10/24/07 DATE
RECOMMENDED	<i>[Signature]</i> DESIGN ENGINEER	10/23/07 DATE