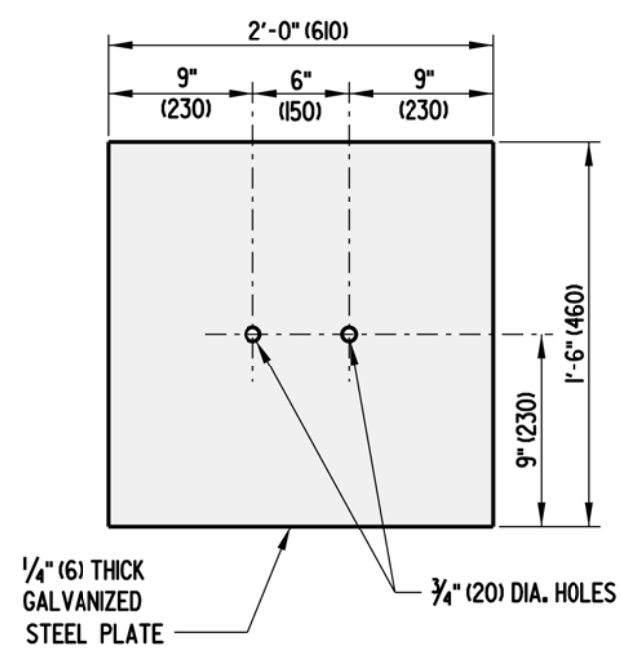
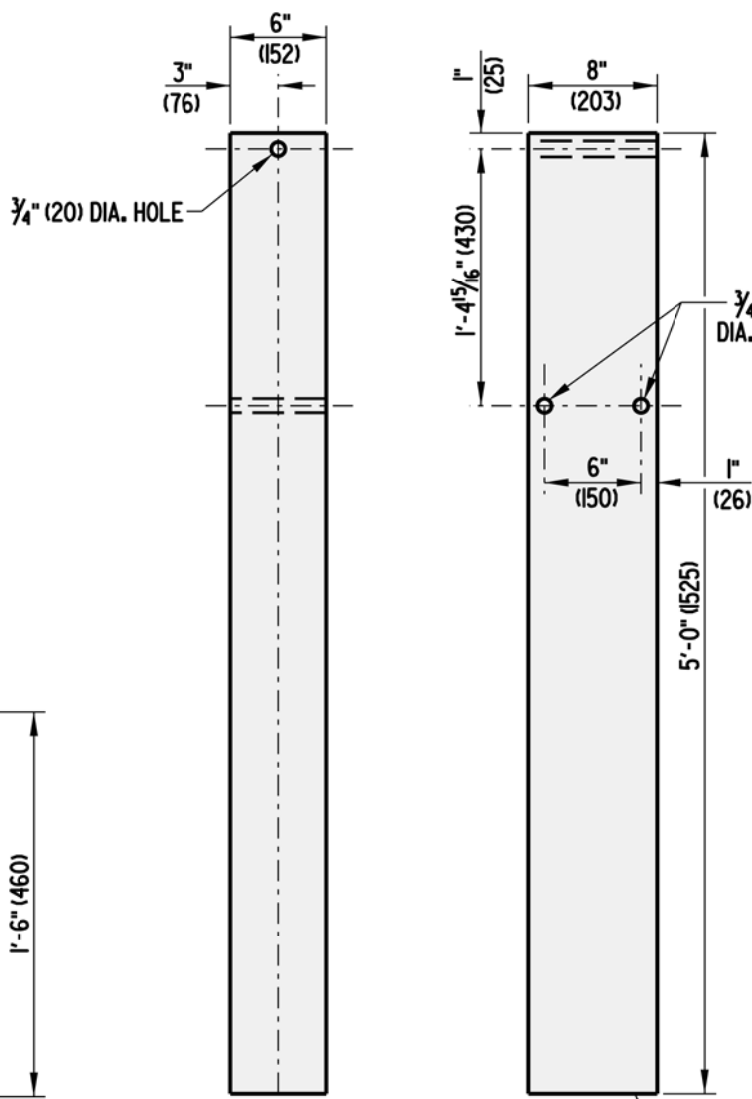


NOTES : 1). ALL HOLES SHALL BE DRILLED PRIOR TO GALVANIZING.
 2). ALL WOOD SIZES ARE NOMINAL DIMENSIONS.
 3). POSTS SHOULD BE PLACED SO THAT BREAKAWAY HOLES ARE NO LOWER THAN GROUND LEVEL AND NO HIGHER THAN 4" (100) ABOVE GROUND LEVEL.

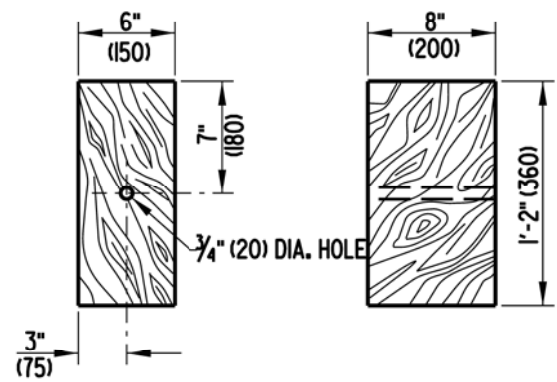


SOIL PLATE

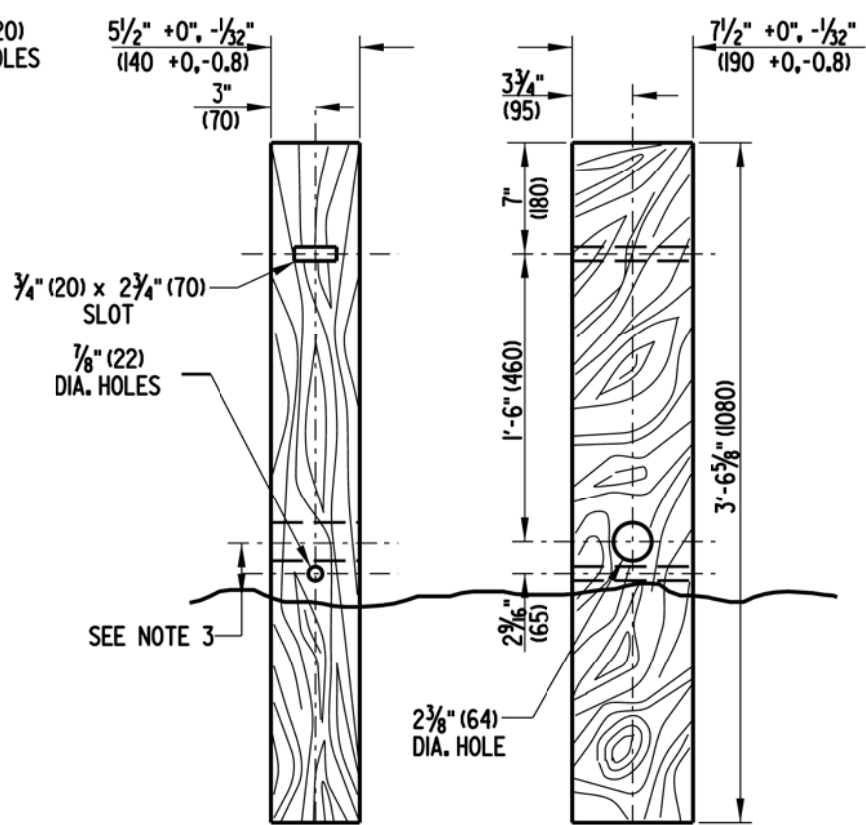


TS-8" X 6" X 3/16"
 (TS-203 x 152 x 4.8)
 GALVANIZED STEEL TUBING

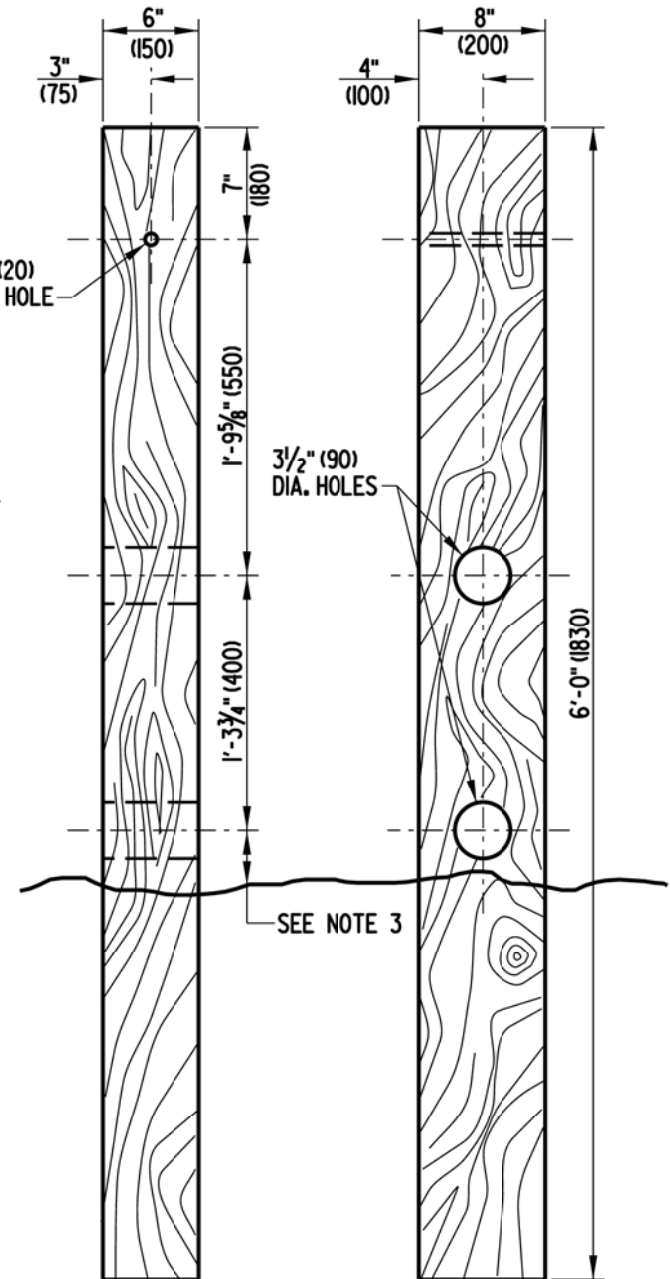
STEEL TUBE



WOOD BLOCK



SHORT WOOD BREAKAWAY POST



LONG WOOD BREAKAWAY POST