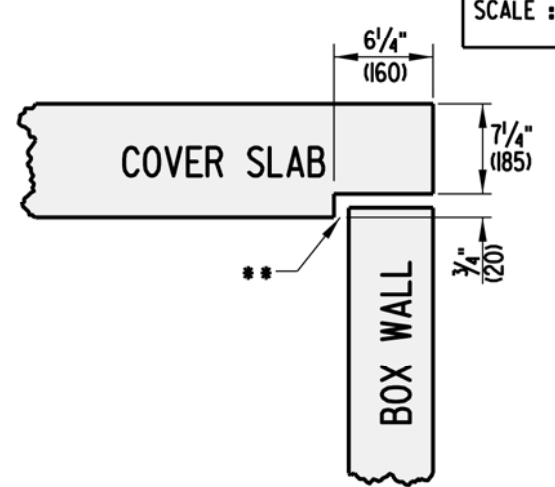
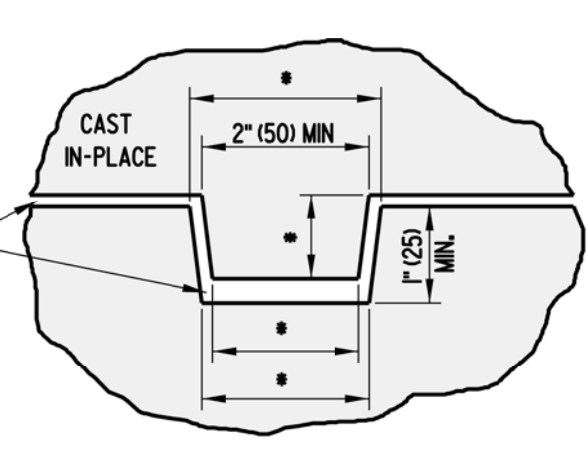
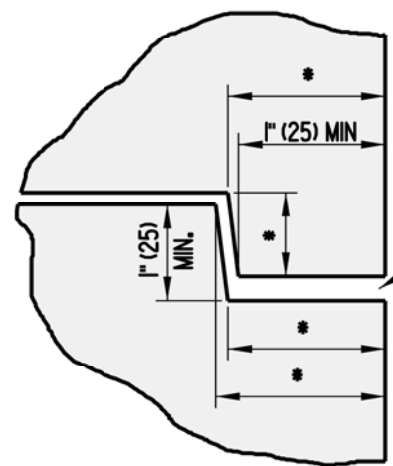
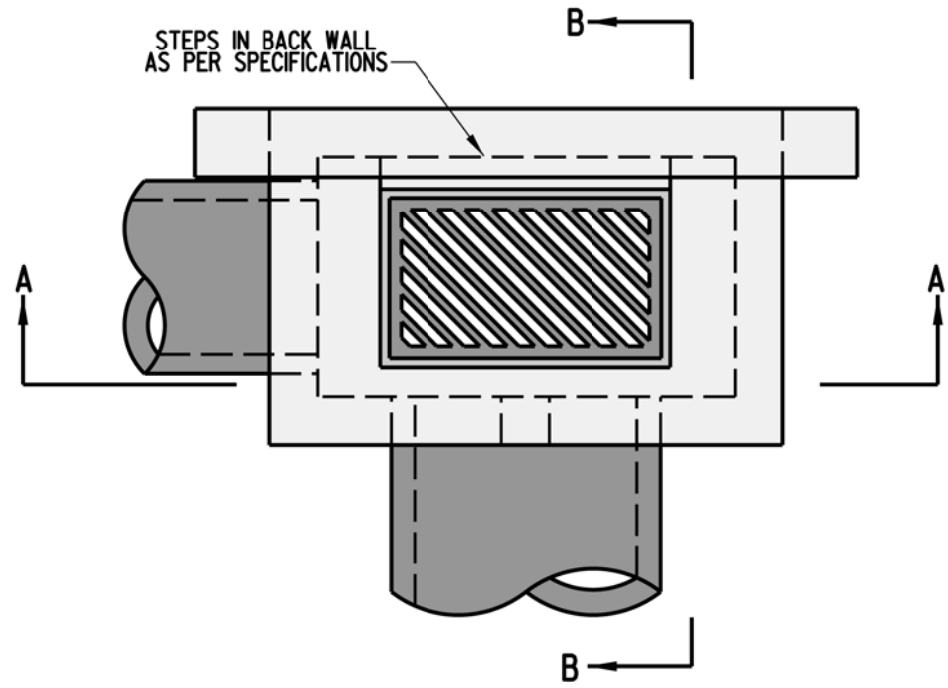


SCALE : N.T.S.



\* DIMENSIONS WILL VARY  
 \*\* JOINT SEALANT AS PER SPECIFICATIONS ONLY BETWEEN 2 PRECAST UNITS

