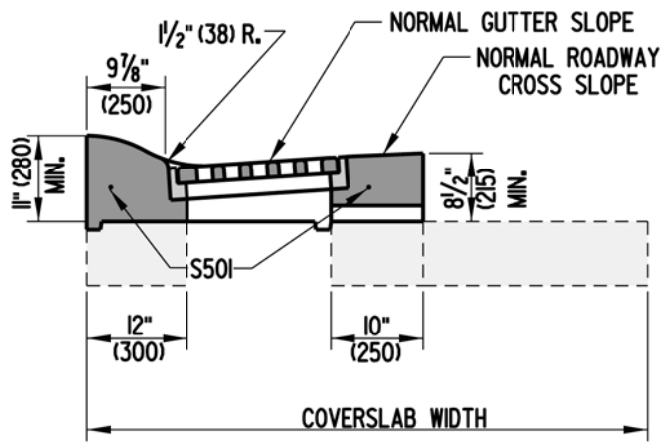
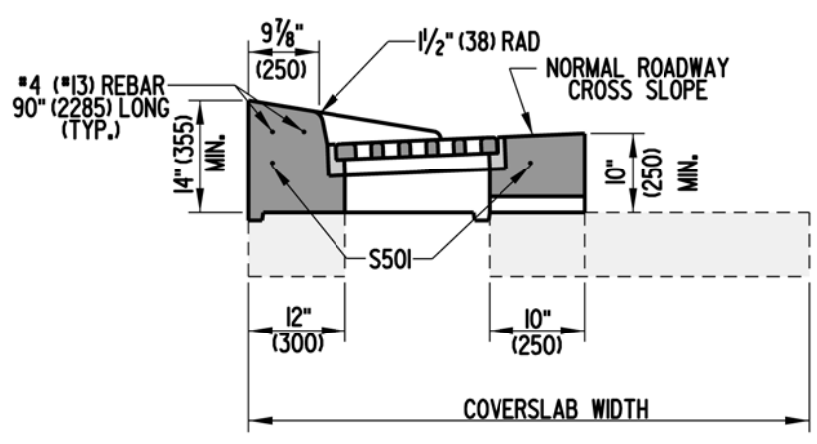


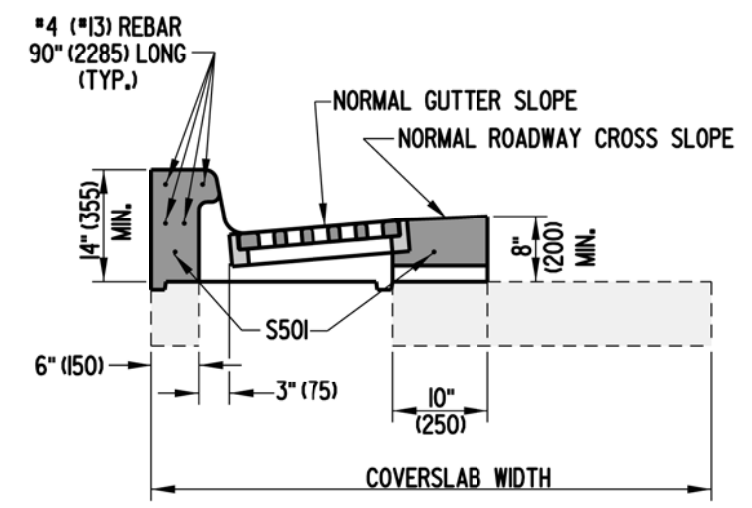
TYPE A



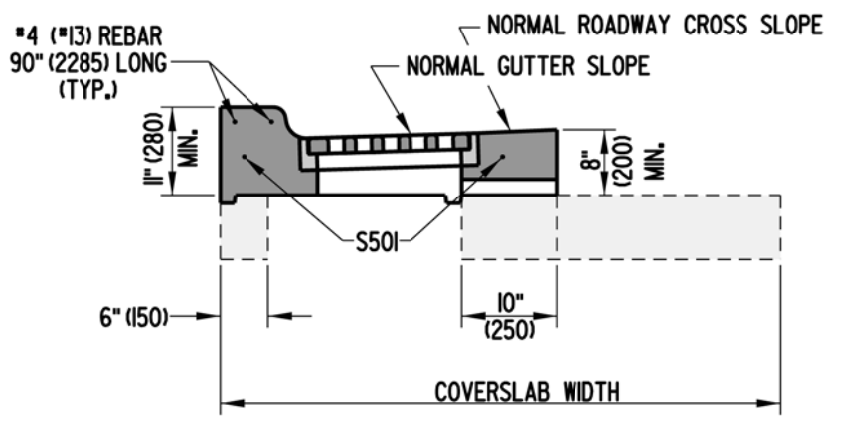
TYPE D



TYPE E

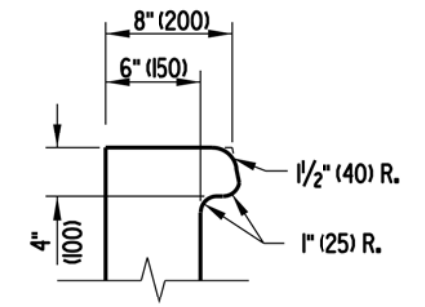


TYPE B

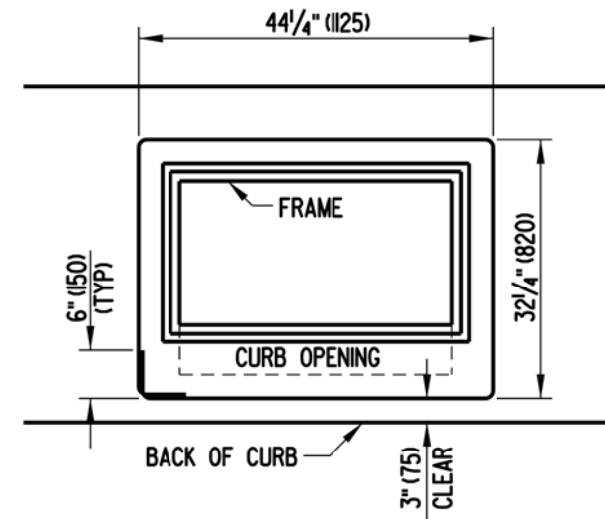


TYPE C

INLET TOP UNIT APPLICATIONS	
TOP UNIT	CURB
TYPE A	USE IN DRAINAGE SWALE
TYPE B	INTEGRAL PCC CURB & GUTTER, TYPE 1 & 3, PCC CURB TYPE 1
TYPE C	INTEGRAL PCC CURB & GUTTER, TYPE 4, PCC CURB TYPE 3
TYPE D	INTEGRAL PCC CURB & GUTTER, TYPE 2
TYPE E	PCC CURB TYPE 2

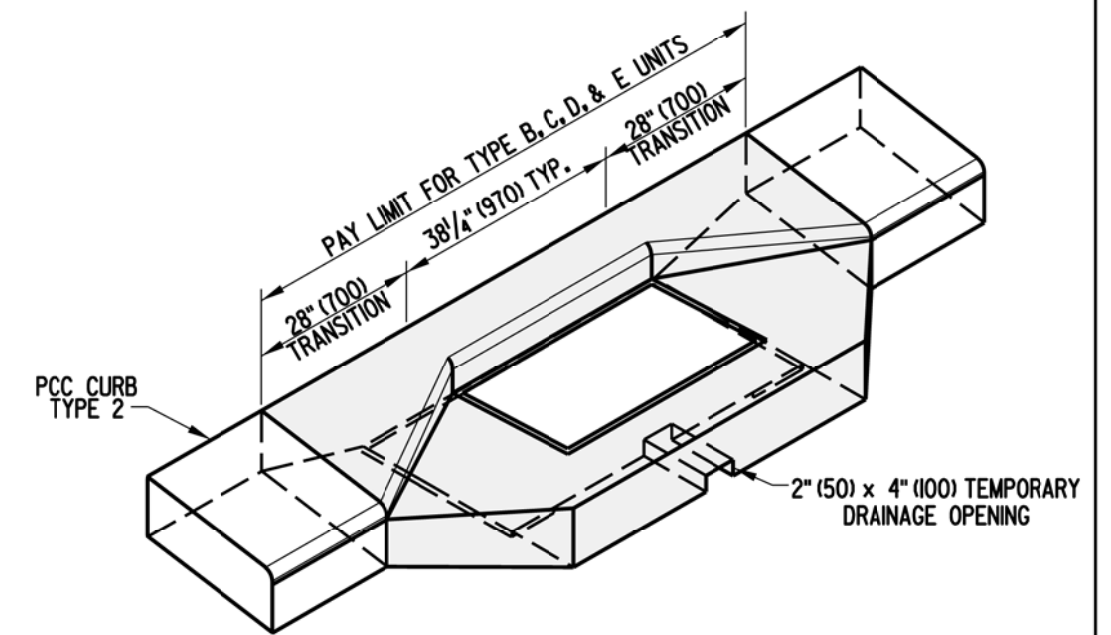


CURB OPENING DETAIL



S501 BENDING DIAGRAM

S501 IS NOT REQUIRED TO BE ONE CONTINUOUS BAR. IF MORE THAN ONE BAR IS USED, THERE MUST BE A 12" (300) OVERLAP BETWEEN BARS.



ISOMETRIC VIEW

TYPE E UNIT SHOWN