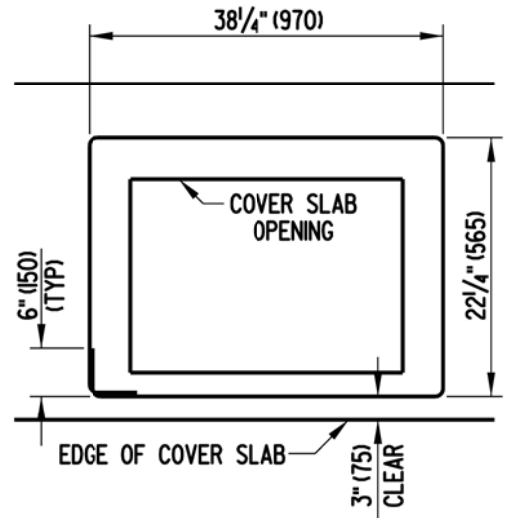
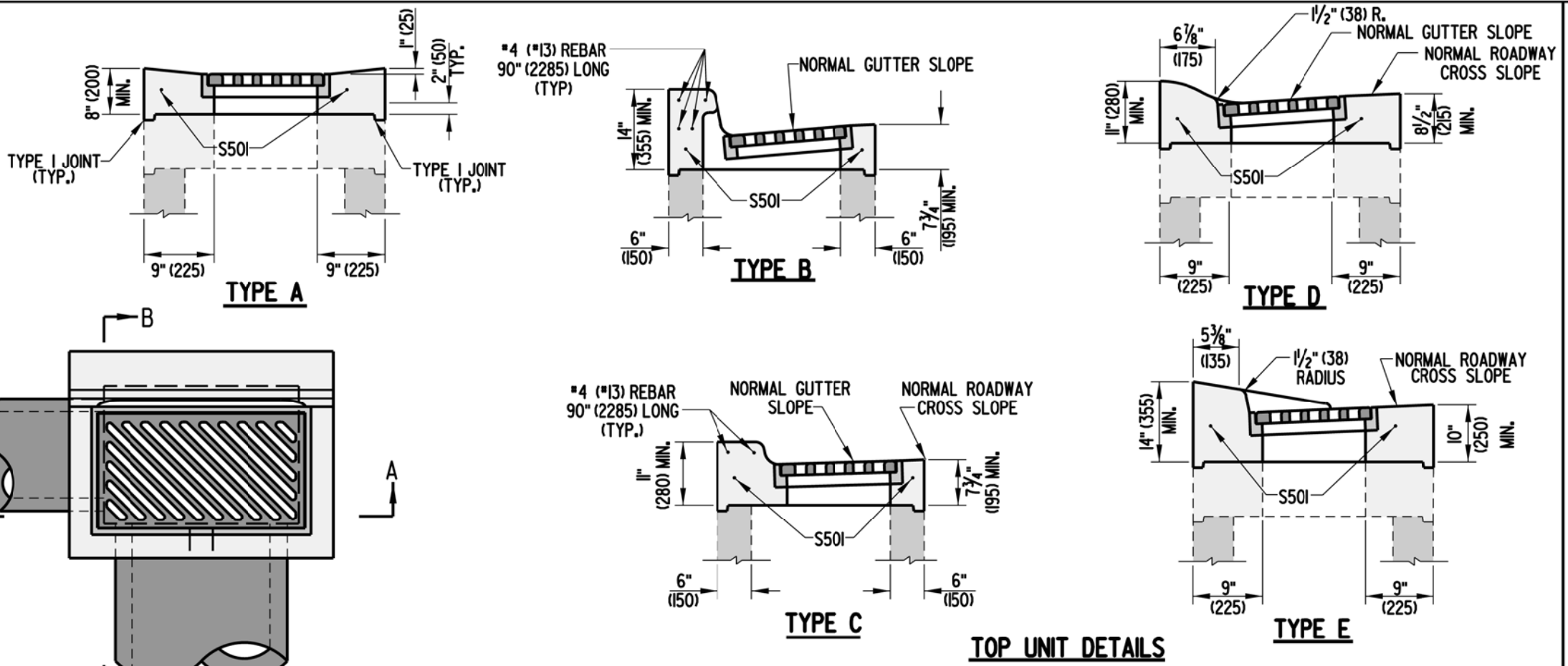


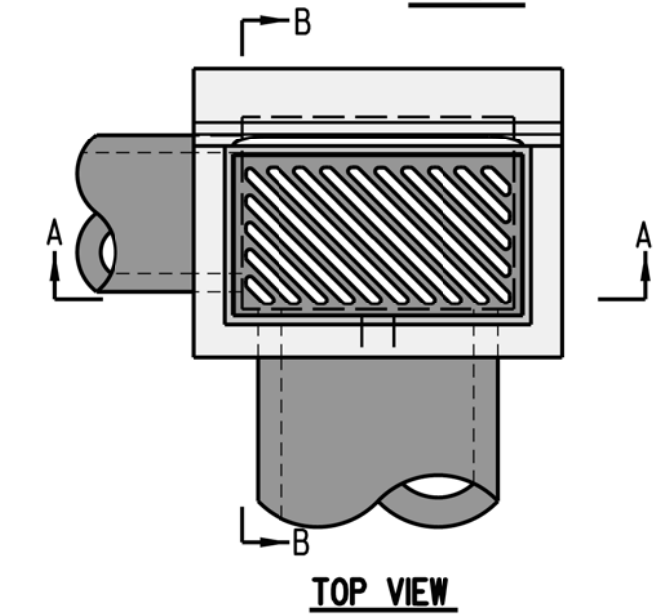
SCALE : N.T.S.



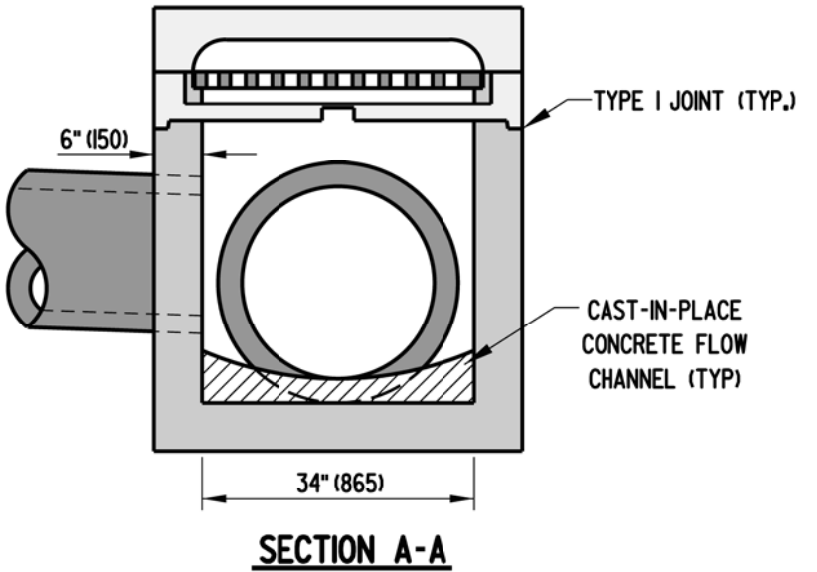
S503 BENDING DIAGRAM

S503 IS NOT REQUIRED TO BE ONE CONTINUOUS BAR. IF MORE THAN ONE BAR IS USED, THERE MUST BE A 12" (300) OVERLAP BETWEEN BARS.

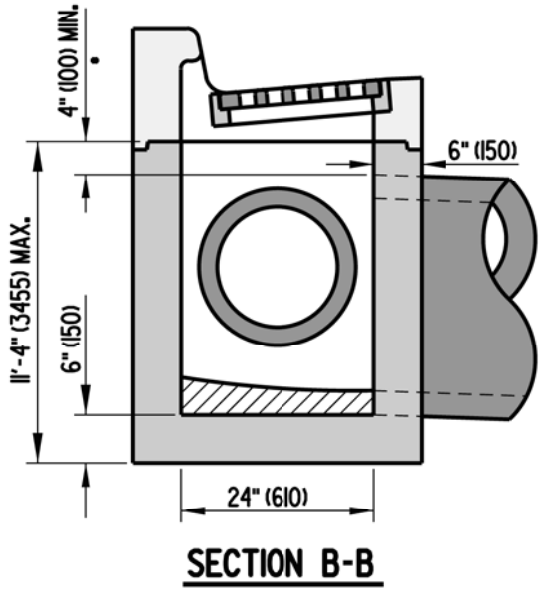
TOP UNIT DETAILS



TOP VIEW



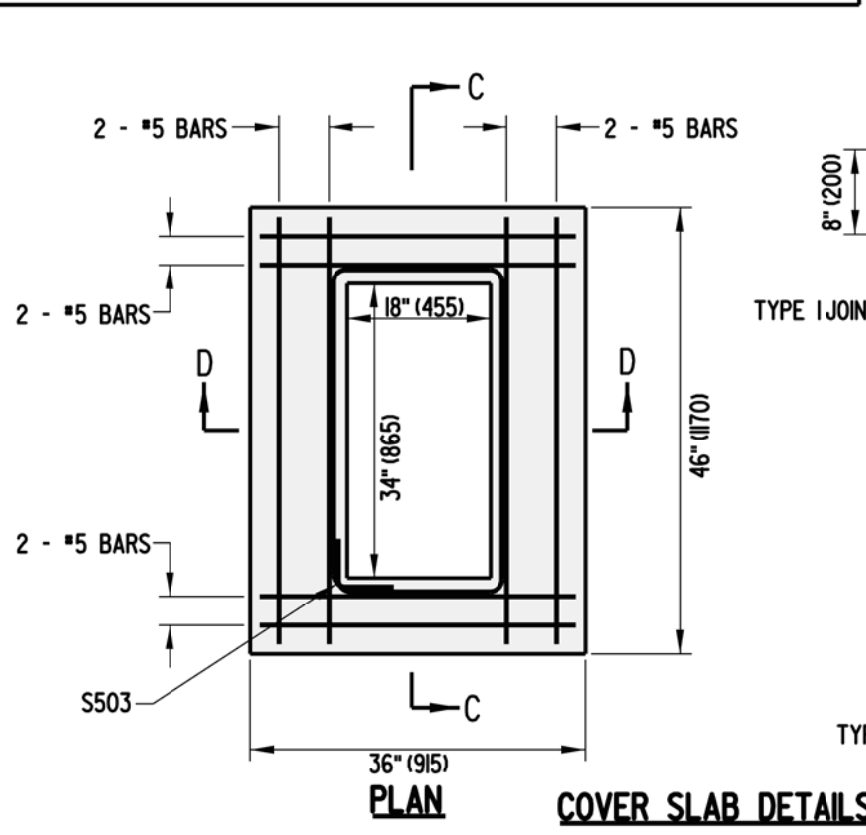
SECTION A-A



SECTION B-B

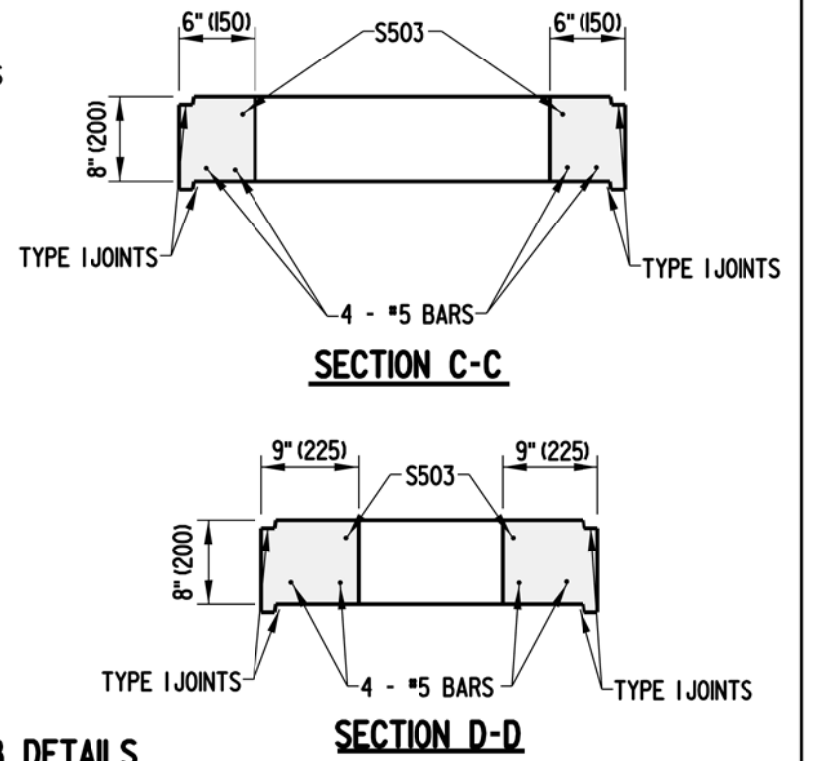
DRAINAGE INLET DETAILS

NOTE: REFER TO PREVIOUS SHEETS FOR REINFORCING REQUIREMENTS
 - - SEE OPTIONAL PIPE OPENING DETAIL ON STANDARD NO. D-4, SHEET 1 OF 1



PLAN

COVER SLAB DETAILS



SECTION C-C

SECTION D-D



DELAWARE DEPARTMENT OF TRANSPORTATION

34" (865) x 24" (610) DRAINAGE INLET AND COVER SLAB DETAILS
 STANDARD NO. D-5 (2008) SHT. 6 OF 9

APPROVED *[Signature]* 11/18/08
 RECOMMENDED *[Signature]* 11/17/08